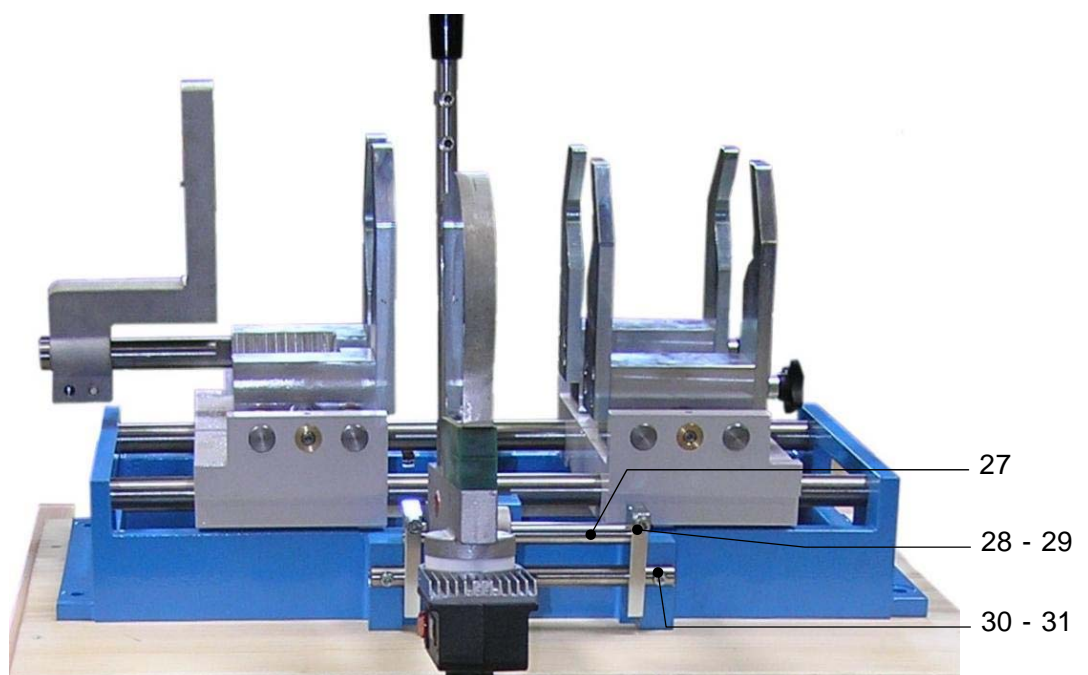
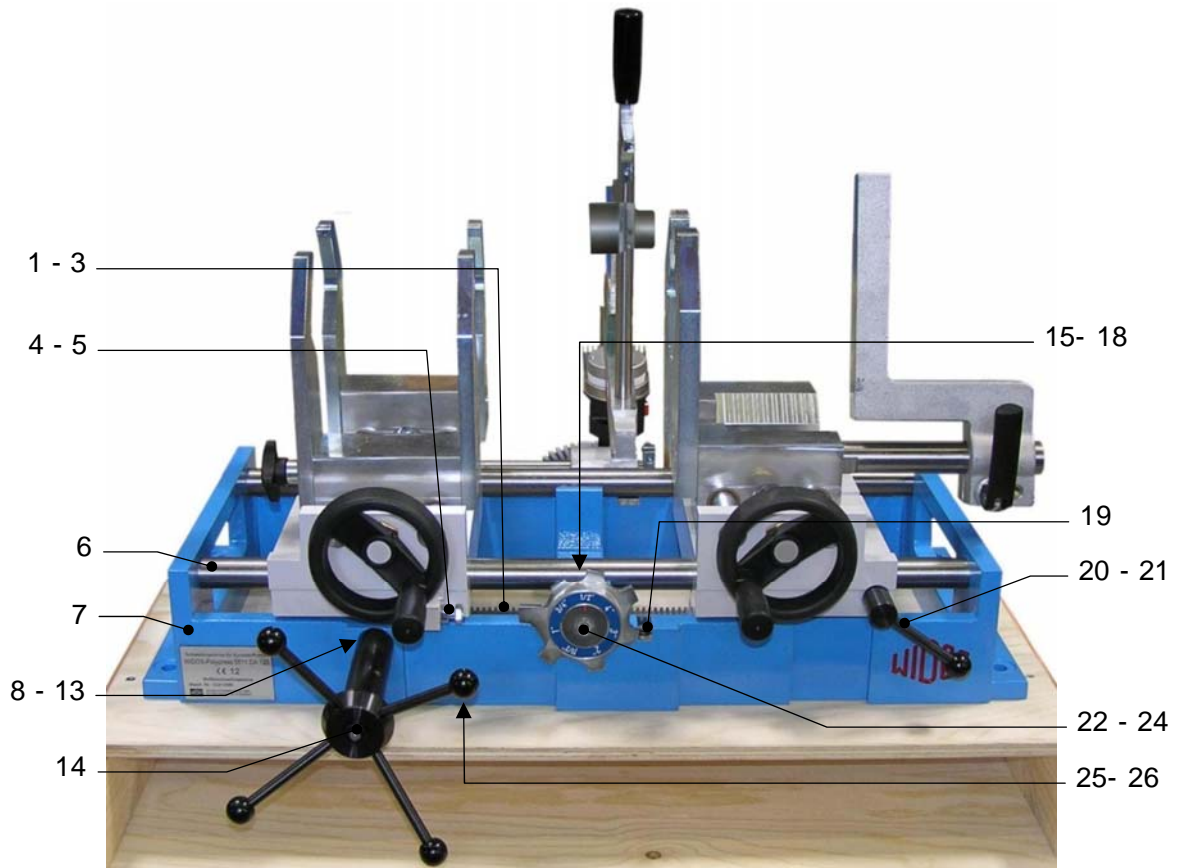


9. Spare parts list

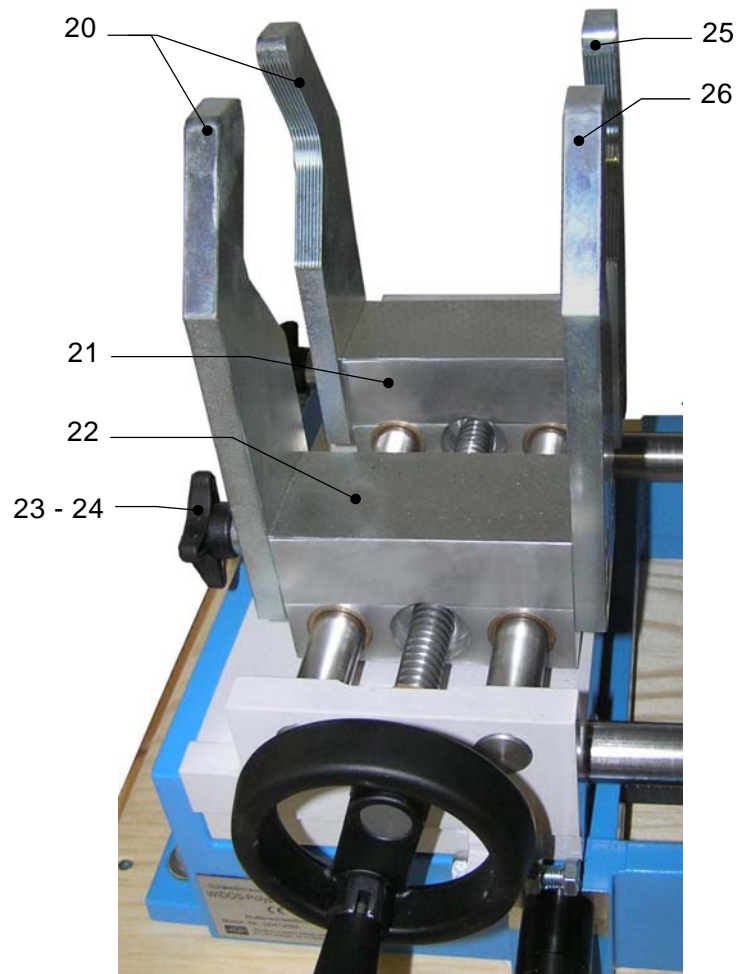
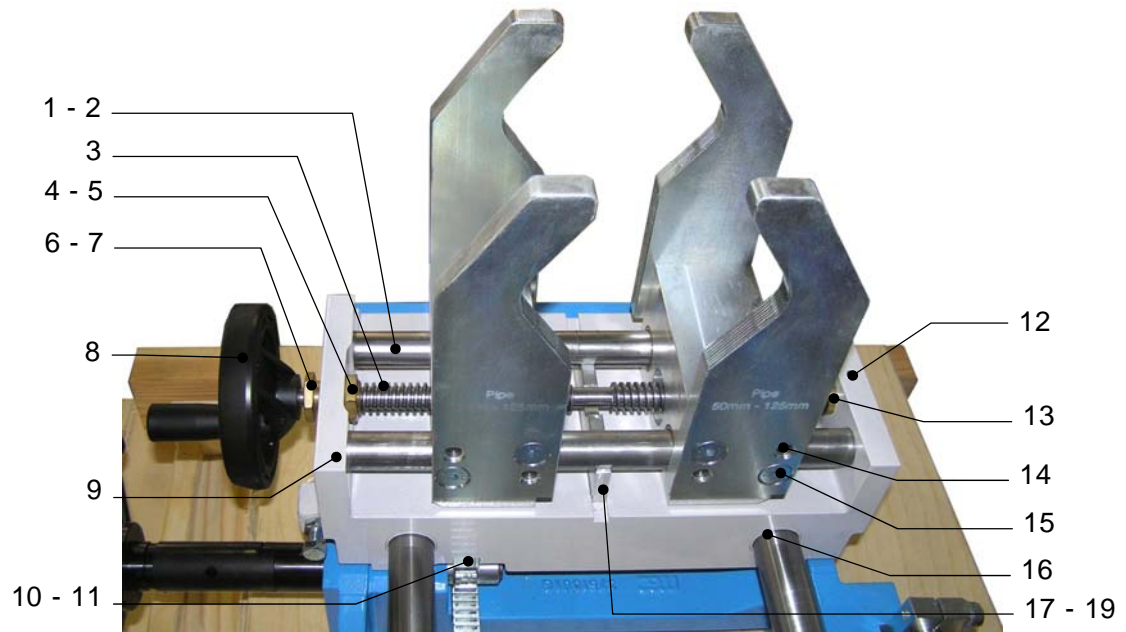
9.1. Basic machine



Basic machine WIDOS 3511

<i>Pos.</i>	<i>Name</i>	<i>Piece</i>	<i>Order no.</i>
1	Rack down	1	3551029
2	Washer M5 DIN 125	2	0125E
3	Pan-head screw M 5x20 DIN 7984	2	7984E020
4	Stop bolt	1	3751046
5	Shim ring 8 x 14 x 0,5 DIN 988	1	on request
6	Idler	2	3751005
7	Base frame	1	375001
8	Gear shaft	1	3751006
9	Flange bushing PAF18170P10	1	on request
10	Spacer ring	1	3751009
11	Spur gear	1	372107
12	Retaining ring 12 x 1 DIN 471	1	0471L
13	Feather key A 4x4x22 DIN 6885	1	6885D022
14	Cruciform hub, complete	1	3751008KP
15	Bearing pin	1	3751011
16	Shim ring 20 x 28 x 1 DIN 988	1	0988T010
17	Straight pin 3h11 x 12 DIN 7	1	0007C012
18	Spring-loaded thrust pad 615,3-M10-K-PFR	1	on request
19	Streight pin M 10x16 DIN 913	2	0913J016
20	Clamping lever GN212.3-21-M8-25-D	1	on request
21	Pressure piece	1	370120
22	Linit stop washer DVS type A in mm (optional)	1	3751280
(22)	Linit stop washer DVS type B in mm (optional)	1	3751250
(22)	Linit stop washer ASTM in mm (optional)	1	3751270
(22)	Linit stop washer ASTM in inch (optional)	1	3751260
23	Disc	1	3751012
24	Flat-head screw M 6x12 DIN 7991	1	7991F012
25	Washer M8 DIN 125	2	0125H
26	Pan-head screw M 8x65 DIN 912	2	0912H065
27	Idler for heating element	1	3751034
28	Pendulum strip	2	3751036
29	Pan-head screw M 6x25 DIN 912	2	0912F025
30	Breaking wave	1	3751035
31	Pan-head screw M 6x30 DIN 7984	2	7984F030

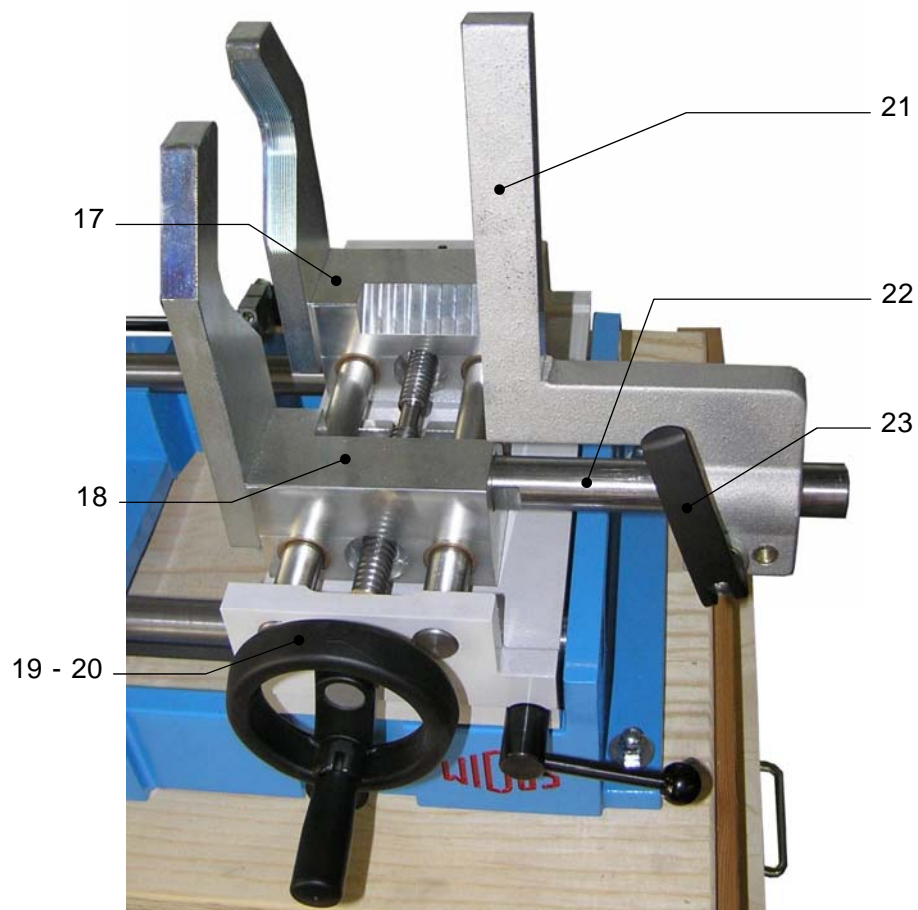
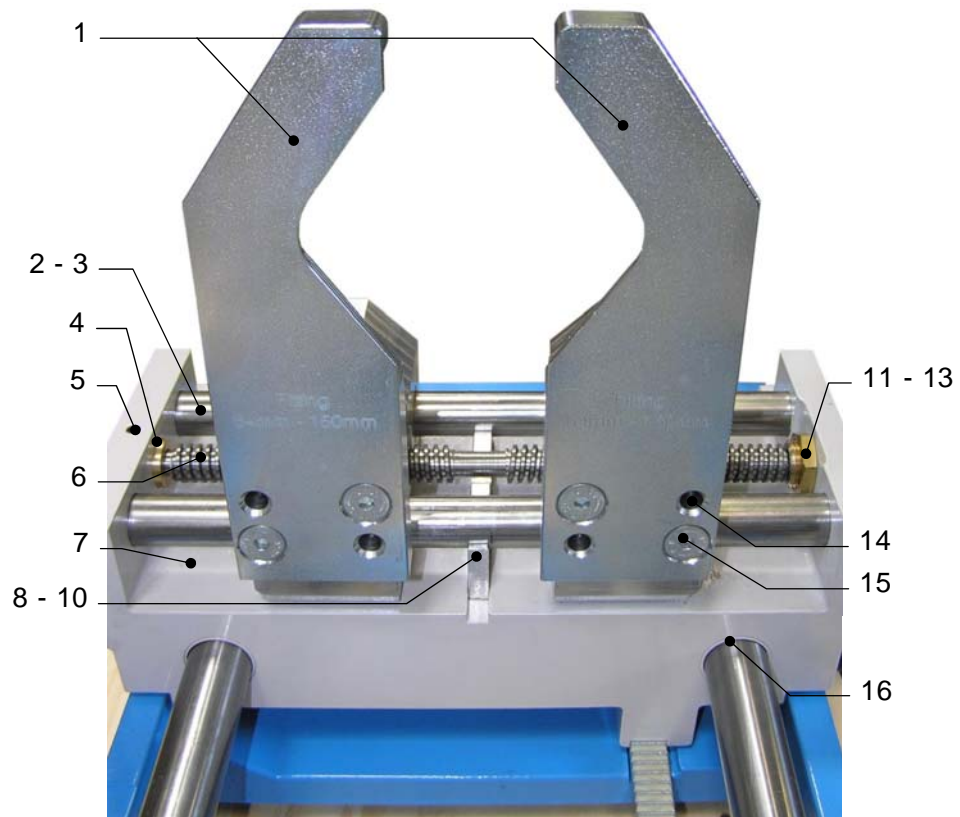
9.2. Prism clamping tool for pipes



Prism gripping tool for pipes WIDOS 3511

<i>Pos.</i>	<i>Name</i>	<i>Piece</i>	<i>Order no.</i>
1	Idler for slide	2	3751028
2	Slide bush PSM202520A51	8	on request
3	Acme thread spindle	1	3751023
4	Counter nut	1	3751025
5	Shim D10xD16x0,5 DIN 988	1	0988J005
6	Adjustment bushing	1	3751024
7	Adjusting ring	1	3751045
8	Handwheel	1	3751027
9	Slide left	1	3751002
10	Rack upside	1	3751018
11	Pan-head screw M 5x16 DIN 912	2	0912E016
12	Grub screw M 6x10 DIN 914	3	0914F010
13	bearing bush	1	3751026
14	Straght pin 8 m6x24 DIN 6325	8	6325H024
15	Flat-head screw M 8x30 DIN 7991	4	7991H030
16	bush PAP2525 P10	4	on request
17	Support plate	1	3751019
18	Washer M5 DIN 125	2	0125E
19	Pan-head screw M 5x50 DIN 912	2	0912E050
20	Clamping tool pipe side OD 20 to 50 mm	2	3757012
(20)	Clamping tool pipe side OD 50 to 125 mm	2	3757011
(20)	Clamping tool pipe side OD 64 to 150 mm R	1	3757024
(20)	Clamping tool pipe side OD 64 to 150 mm L	1	3757023
21	Guide block pipe side, rear	1	3751041
22	Guide block pipe side, in front	1	3751040
23	Star handle GN6335.2-50-M8-E	2	on request
24	Grub screw M 8x60 DIN 914	2	0913H060
25	Clamping tool pipe side OD 20 - 50 mm	1	3757015
(25)	Clamping tool pipe side OD 50 - 125 mm	1	3757014
(25)	Clamping tool pipe side OD 64 - 150 mm	1	3757022
26	Clamping tool pipe side OD 20 - 50 mm	1	3757016
(26)	Clamping tool pipe side OD 50 - 125 mm	1	3757013
(26)	Clamping tool pipe side OD 64 - 150 mm	1	3757021

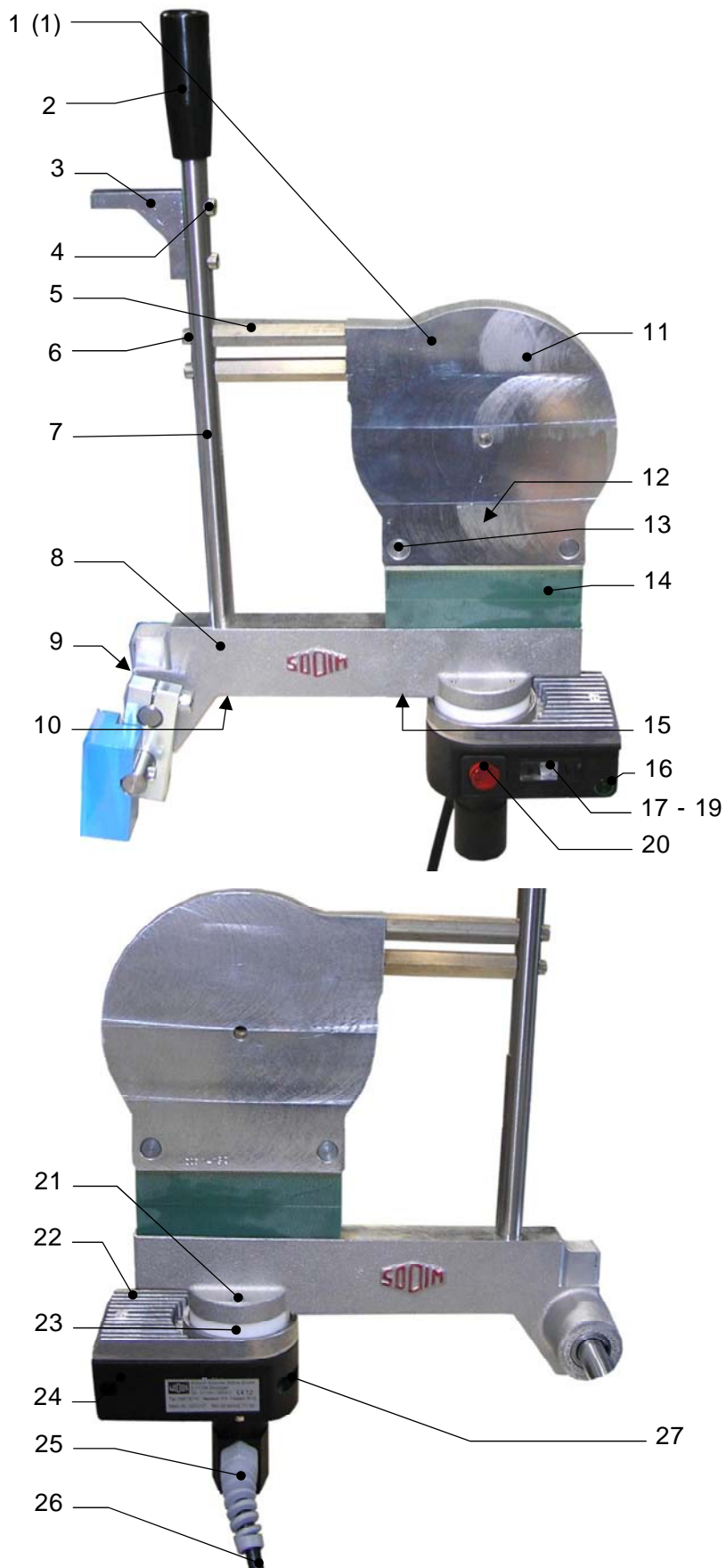
9.3. Prism clamping tool for fitting with support



Prism clamping tool for fitting WIDOS 3511

<i>Pos.</i>	<i>Name</i>	<i>Piece</i>	<i>Order no.</i>
1	Clamping tool fitting L/R OD 75 - 167 mm	1	3757117
(1)	Clamping tool fitting L/R OD 29 - 68 mm	1	3757119
(1)	Clamping tool fitting L/R OD 29 - 68 NIBCO	1	3757125
2	Idler for slide	2	3751028
3	Slide bush PSM202520A51	8	on request
4	bearing bush	1	3751026
5	Grub screw M 6x10 DIN 914	3	0914F010
6	Acme thread spindle	1	3751023
7	Slide right	1	3751003
8	Support plate	1	3751019
9	Washer M5 DIN 125	2	0125E
10	Pan-head screw M 5x50 DIN 912	2	0912E050
11	Counter nut	1	3751025
12	Shim	1	0988J005
13	Adjustment bushing	1	3751024
14	Straght pin 8 m6x24 DIN 6325	4	6325H024
15	Flat-head screw M 8x30 DIN 7991	4	7991H030
16	Bush PAP2525 P10	4	on request
17	Guide block pipe side, rear	1	3751043
18	Guide block pipe side, in front	1	3751042
19	Adjusting ring	1	3751045
20	Handwheel	1	3751027
21	Arrester	1	3751004
22	Guide rod arrester	1 (2)	3751032
23	Eccentric clamp GN927-82-M8-A	1	on request

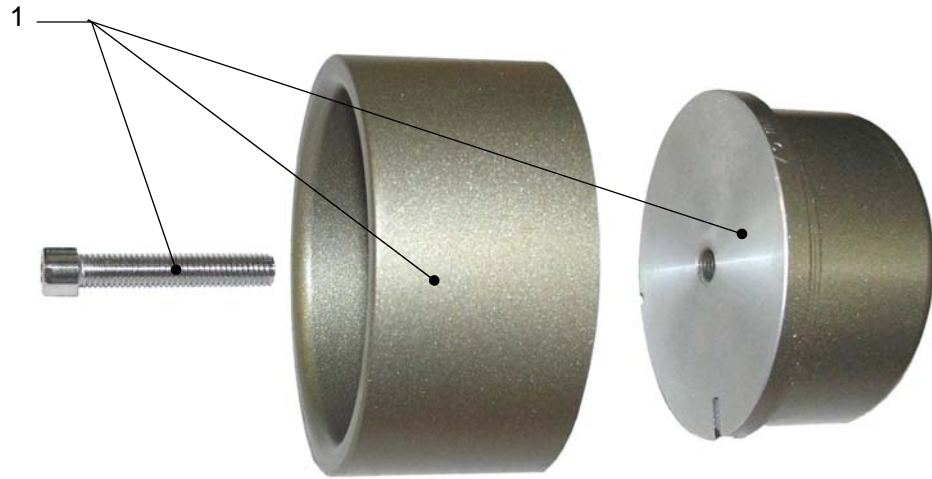
9.4. Heating element



Heating element WIDOS 3511

<i>Pos.</i>	<i>Name</i>	<i>Piece</i>	<i>Order no.</i>
1	Heating element complete 230V	1	H3511E
(1)	Heating element complete 110V	1	H3511E110
2	Cylindrical knob	1	0519-26-M12
3	Fixing element	1	3755005
4	Pan-head screw M 6 x 20 DIN 912	2	0912F020
5	Distance bolt	2	3755004
6	Pan-head screw M 6 x 30 DIN 912	2	0912F030
7	Handlebar 335 long	1	3755003
8	Heating plate bracket	1	3755001
9	Guide bearing	2	LKH1630
10	Pan-head screw M 8 x 30 DIN 912	1	0912H030
11	Heating plate 230 V	1	HP3511E
(11)	Heating plate 110 V	1	HP3511E110
12	Temperature probe PT 1000	1	H09082
13	Tapped bushing 12x18, M6	2	HGEW-M6
14	Insulating piece	2	371518
15	Pan-head screw M 6 x 90 DIN 912	2	0912HF090
16	Signal lamp green (with low voltage glow lamp)	1	H2105
17	Thermo regulator GZ 4	1	H0918220
18	Control knob with groove	1	H09075
19	Scale 180-280 °C, d=33 (design 230 V)	1	H09074
(19)	Scale 356-536 °F, d=33 (design 110 V)	1	on request
20	Rocker switch red	1	H0903
(20)	Rocker switch red (110 V)	1	H0903110
21	Pan head screw M 4x70 DIN 912	3	0912D070
22	Heat sink with Triac BT 139	1	H09081
23	Teflon insulating disk	1	H09091
24	Short handle case	1	H3807
25	Cable bushing PG 11 Skintop BS	1	EVK11BS
26	Mains cable with plug (design 230 V)	1	EK32220
(26)	Mains cable with plug (design 110 V)	1	on request
27	Raised countersunk head screw M 4,2x13 DIN 7981	3	7981D013

9.5. Spigot and socket



Spigot, socket WIDOS 3511

Pos.	Name	Piece	Order no.
1	Spigot, socket, OD 20-125* compl. DVS type B	1 set	HD...SC*
(1)	Spigot, socket, OD 20-125* compl. DVS type A	1 set	HD...PS*
(1)	Spigot, socket, OD 20-125* compl. ASTM (mm)	1 set	HD...A*
(1)	Spigot, socket, OD ½"-4" * compl. ASTM (inch)	1 set	HD...NS*
	*) When ordering, please state the dimension of the diameter		