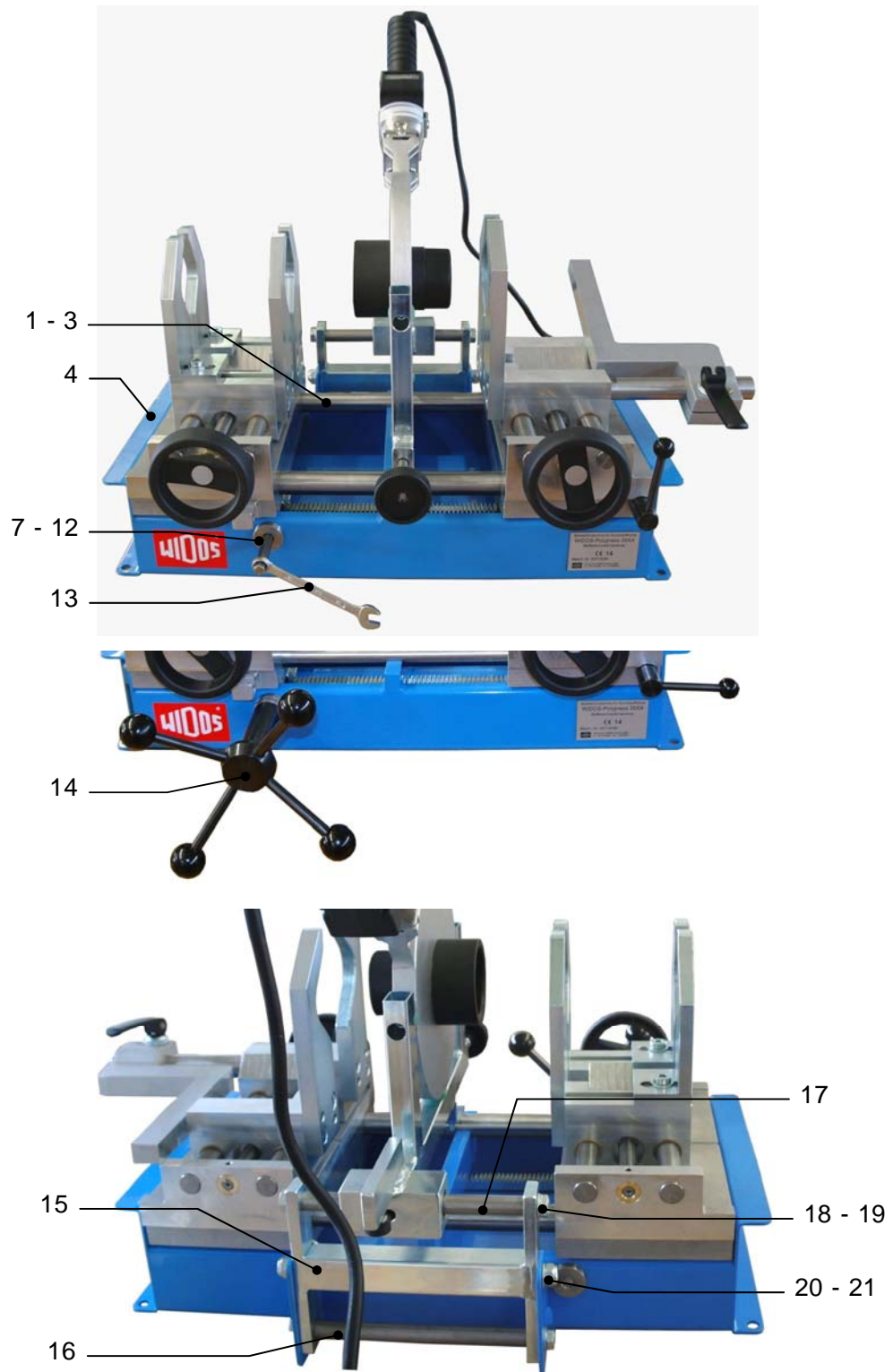


8. Spare parts list

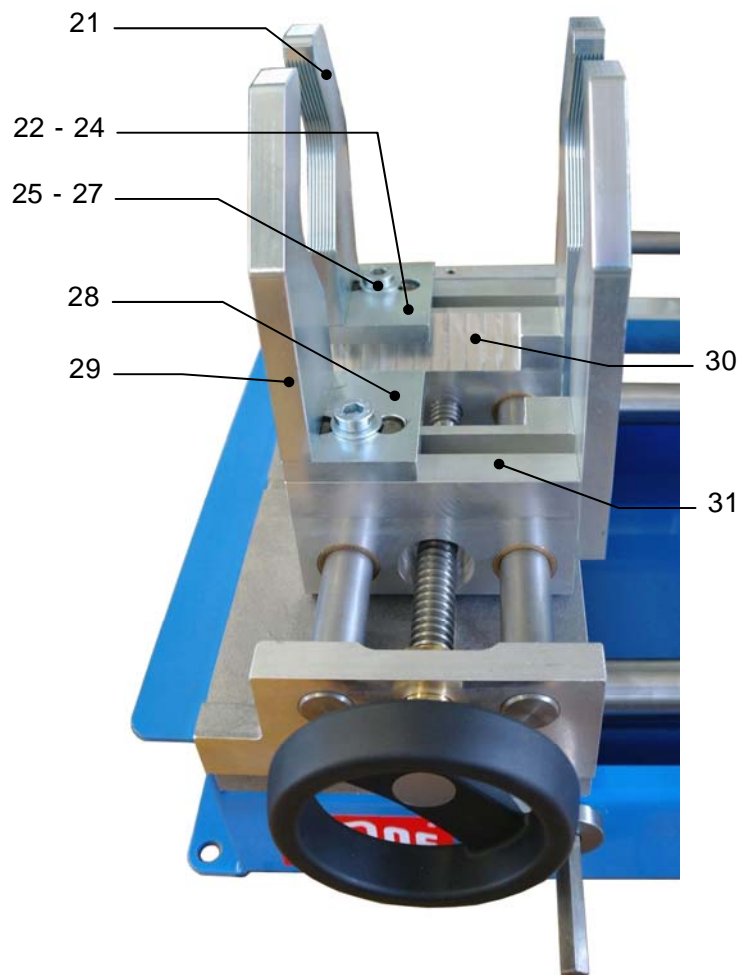
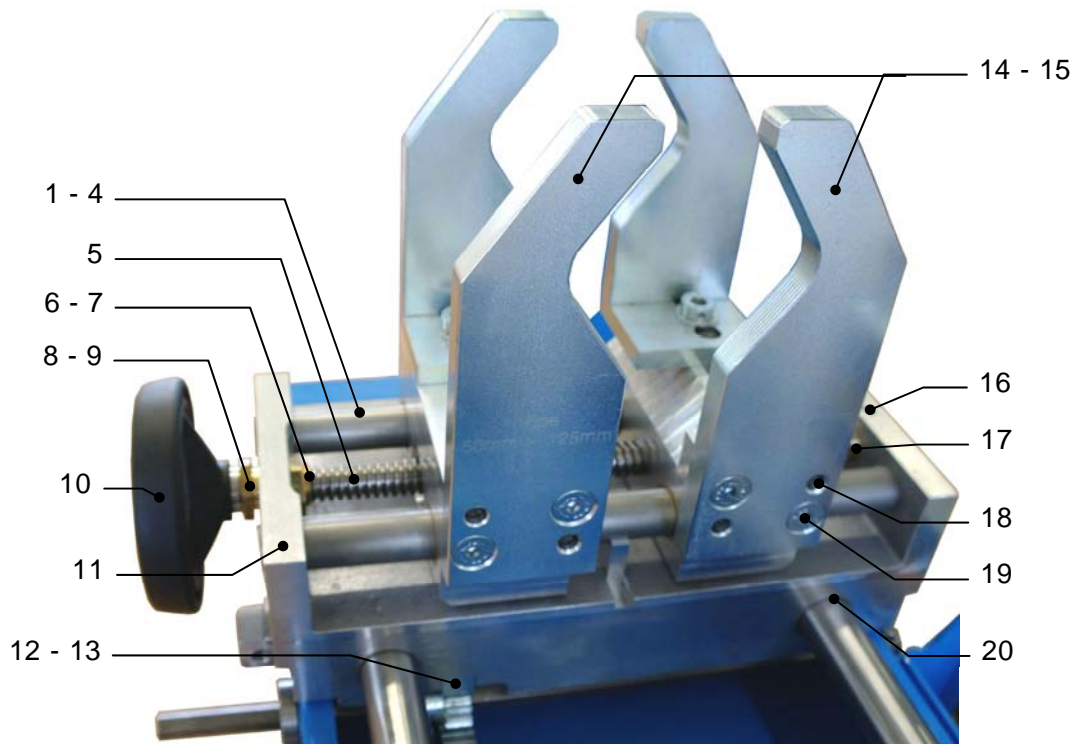
8.1. Basic machine



Basic machine WIDOS 35XX

<i>Pos.</i>	<i>Name</i>	<i>Piece</i>	<i>Order no.</i>
1	Idler	2	3751205
2	Pan-head screw M 8 x 25 DIN 7984	2	7984H035
3	Washer M 8 DIN 125	2	0125H
4	Base frame	1	3751201
5	Slide for rack	1	3751211
6	Lock ring 10 x 1 DIN 471	1	0471J
7	Gear shaft	1	3751206
8	Spur wheel	1	3751207
9	Grub screw M 5 x 4 DIN 913	1	0913E004
10	Slip ring nut	2	37512092
11	Slip ring	2	3751209
12	Grub screw M 5 x 10 DIN 913	2	0913E010
13	Combination spanner size 10	1	ZRG10
14	Cruciform complete	1	on request
15	Pendulum strip	1	3751236
16	Breaking wave	1	3751235
17	Idler	1	2751234
18	Washer 11 DIN 440	4	0440K
19	Hexagon-head screw M 10 x 16 DIN 933	4	0933J
20	Breaking wave	1	3751237
21	Hexagon nut M 10 DIN 985	2	0985J

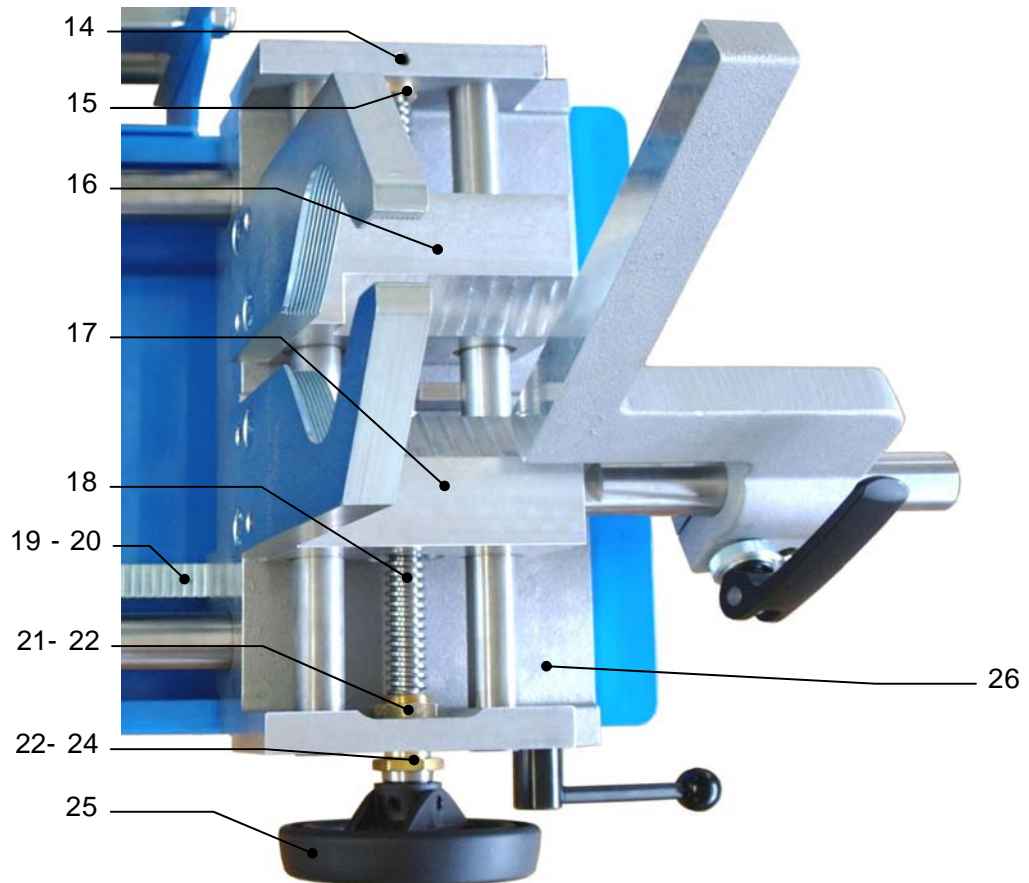
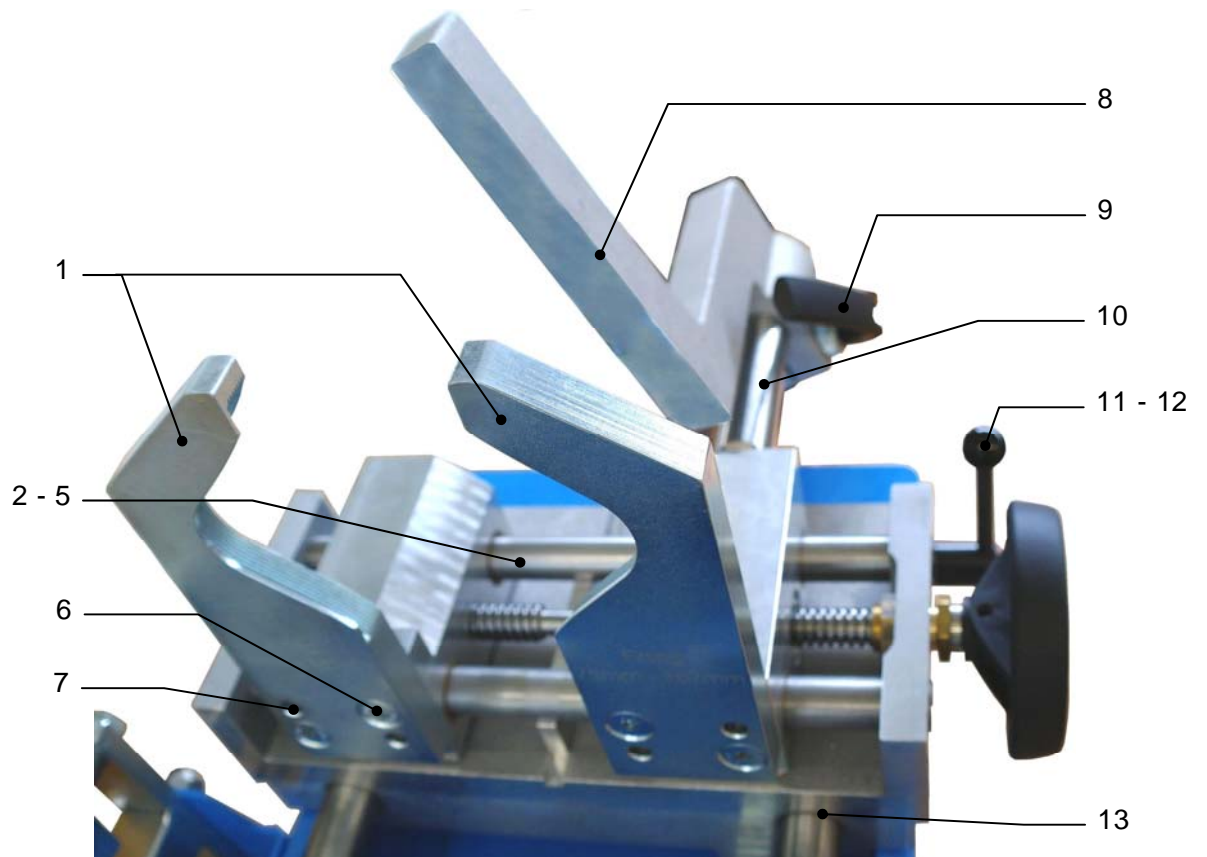
8.2. Prism clamping tool for pipes



Prism gripping tool for pipes WIDOS 35XX

<i>Pos.</i>	<i>Name</i>	<i>Piece</i>	<i>Order no.</i>
1	Idler for slide	2	3751028
2	Slide bush PSM202520A51	8	on request
3	Pan-head screw M 5x35 DIN 912	2	0912E
4	Washer M 5 DIN 125	2	0125E
5	Acme thread spindle	1	3751023
6	Counter nut	1	3751025
7	Shim D10xD16x0,5 DIN 988	1	0988J005
8	Adjustment bushing	1	3751024
9	Adjusting ring	1	3751045
10	Spoked	1	3751227
11	Slide left	1	3751202
12	Rack upside	1	3751018
13	Pan-head screw M 5x16 DIN 912	2	0912E016
14	Clamping tool pipe side OD 20 - 50 mm	1	3757015
(14)	Clamping tool pipe side OD 50 - 125 mm	1	3757014
15	Clamping tool pipe side OD 20 - 50 mm	1	3757016
(15)	Clamping tool pipe side OD 50 - 125 mm	1	3757013
16	Grub screw M 6x10 DIN 914	3	0914F010
17	Bearing bush	1	3751026
18	Straght pin 8 m6x24 DIN 6325	4	6325H024
19	Flat-head screw M 8x30 DIN 7991	4	7991H030
20	Bush PAP2525 P10	4	on request
21	Clamping tool pipe side OD 20 to 50 mm	1	3757215
(21)	Clamping tool pipe side OD 50 to 125 mm	1	3757213
22	Guide plate left-hand	1	3757211
23	Straght pin 5 m6x20 DIN 6325	4	6325E020
24	Pan-head screw M 5 x 12 DIN 912	4	0912E012
25	Nut for T slot M 8 DIN 508	2	0508H
26	Pan-head screw M 8 x 25 DIN 912	2	0912H
27	Washer M 8 DIN 433	2	0433H
28	Guide plate right-hand	1	3757212
29	Clamping tool pipe side OD 20 to 50 mm	1	3757216
(29)	Clamping tool pipe side OD 50 to 125 mm	1	3757214
30	Guide block pipe side, rear	1	3751241
31	Guide block pipe side, in front	1	3751242

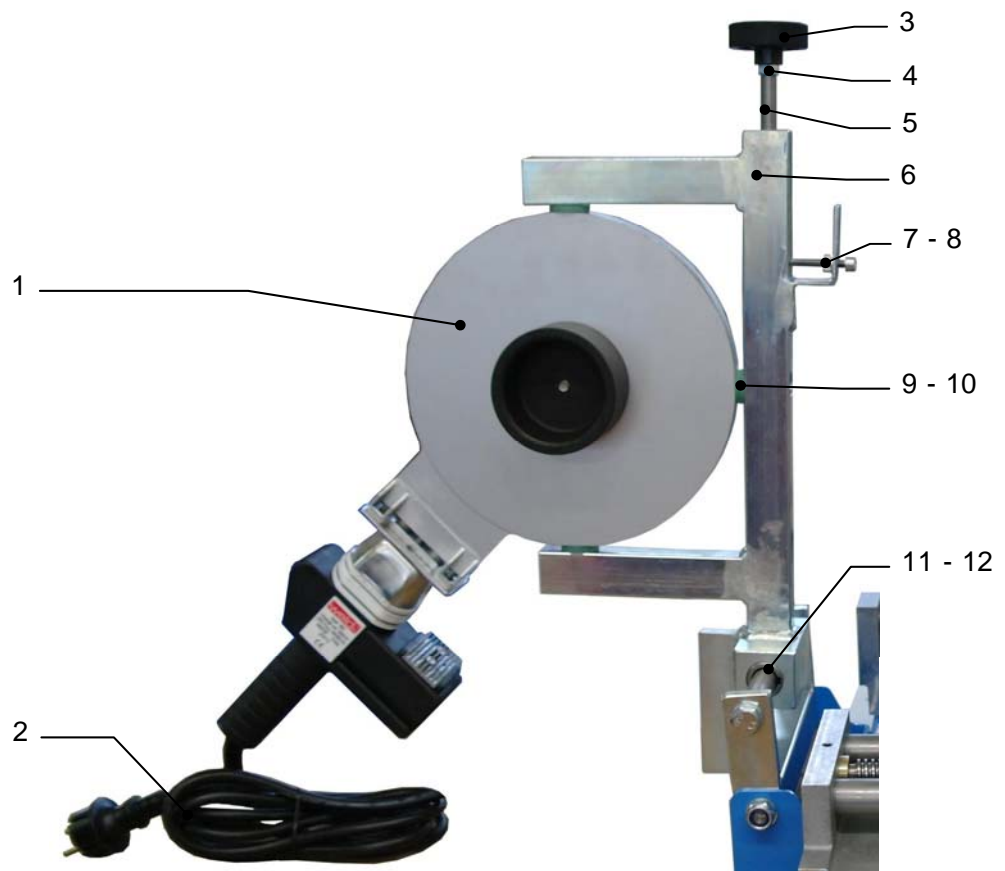
8.3. Prism clamping tool for fitting with support



Prism clamping tool for fitting WIDOS 35XX

<i>Pos.</i>	<i>Name</i>	<i>Piece</i>	<i>Order no.</i>
1	Clamping tool fitting side right OD 75 - 167 mm	1	3757117
(1)	Clamping tool fitting side right OD 29 - 68 mm	1	3757119
2	Idler for slide	2	3751028
3	Slide bush PSM202520A51	8	on request
4	Pan-head screw M 5 x 35 DIN 912	2	0912E
5	Wsher M 5 DIN 125	2	0125E
6	Flat-head screw M 8x30 DIN 7991	4	7991H030
7	Straght pin 8 m6x24 DIN 6325	4	6325H024
8	Arrester	1	3751004
9	Eccentric clamp GN927-82-M8-A	1	on request
10	Guide rod arrester	1 (2)	3751032
11	Clamping lever adjustable GN212.3-21-M8-25-D	1	on request
12	Pressure piece	1	370120
13	Bush PAP2525 P10	4	on request
14	Grub screw M 6x10 DIN 914	3	0914F010
15	Bearing bush	1	3751026
16	Guide block pipe side, rear	1	3751043
17	Guide block pipe side, in front	1	3751042
18	Acme thread spindle	1	3751023
19	Rack below	1	3751229
20	Pan-head screw M 5 x 20 DIN 7984	2	7984E020
21	Counter nut	1	3751025
22	Shim D10xD16x0,5 DIN 988	1	0988J005
23	Adjustment bushing	1	3751024
24	Adjusting ring	1	3751045
25	Spoked	1	3751227
26	Slide right	1	3751003

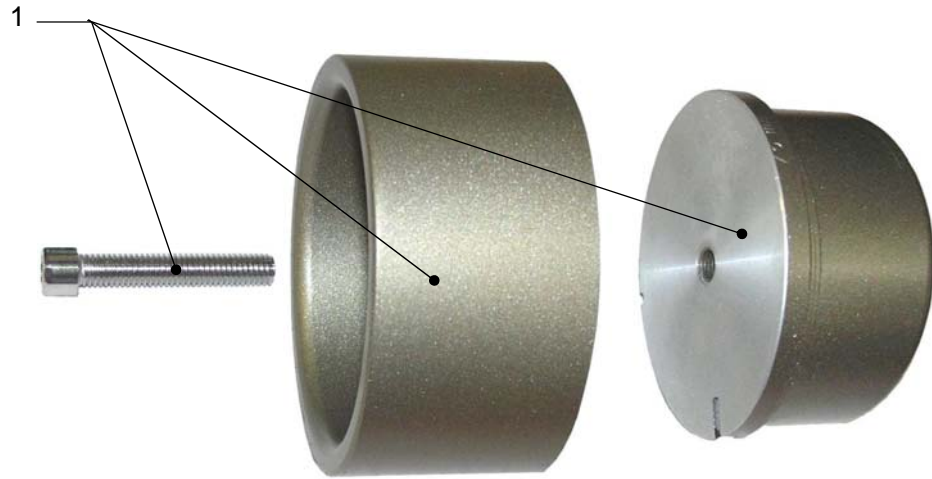
8.4. Heating element



Heating element WIDOS 35XX

<i>Pos.</i>	<i>Name</i>	<i>Piece</i>	<i>Order no.</i>
1	Heating element WELDIT 200 (230 V) with frame compl.	1	on request
(1)	Heating element WELDIT 200 (110 V) with frame compl.	1	on request
2	Connecting cable with plug (230 V)	1	EK3320
(2)	Connecting cable with plug (110 V)	1	EK3110
3	Handle disc GN 226-50-M8	1	on request
4	Hexagon nut M 8 DIN 934	1	0934H
5	Clamping axis	1	3755202
6	Heating plate bearing	1	3755201
7	Grub screw M 6 x 28 DIN 913	1	0913F028
8	Hexagon nut M 6 DIN 934	2	0934F
9	Insulating disc	3	071509
10	Pan-head screw M 8 x 25 DIN 912	3	0912H025
11	Ball bushing KH 1630	2	on request
12	Pressure piece	1	3755205
13	Bump stop GN352-20-10-M6-S-55	1	on request

8.5. Spigot and socket



Spigot, socket WIDOS 35XX

Pos.	Name	Piece	Order no.
1	Spigot, socket, OD 20-125* compl. DVS type B	1 Satz	HD...SC*
(1)	Spigot, socket, OD 20-125* compl. DVS type A	1 Satz	HD...PS*
(1)	Spigot, socket, OD 20-125* compl. ASTM (mm)	1 Satz	HD...A*
(1)	Spigot, socket, OD ½"-4" * compl. ASTM (inch)	1 Satz	HD...NS*
	*) When ordering, please state the dimension of the diameter		