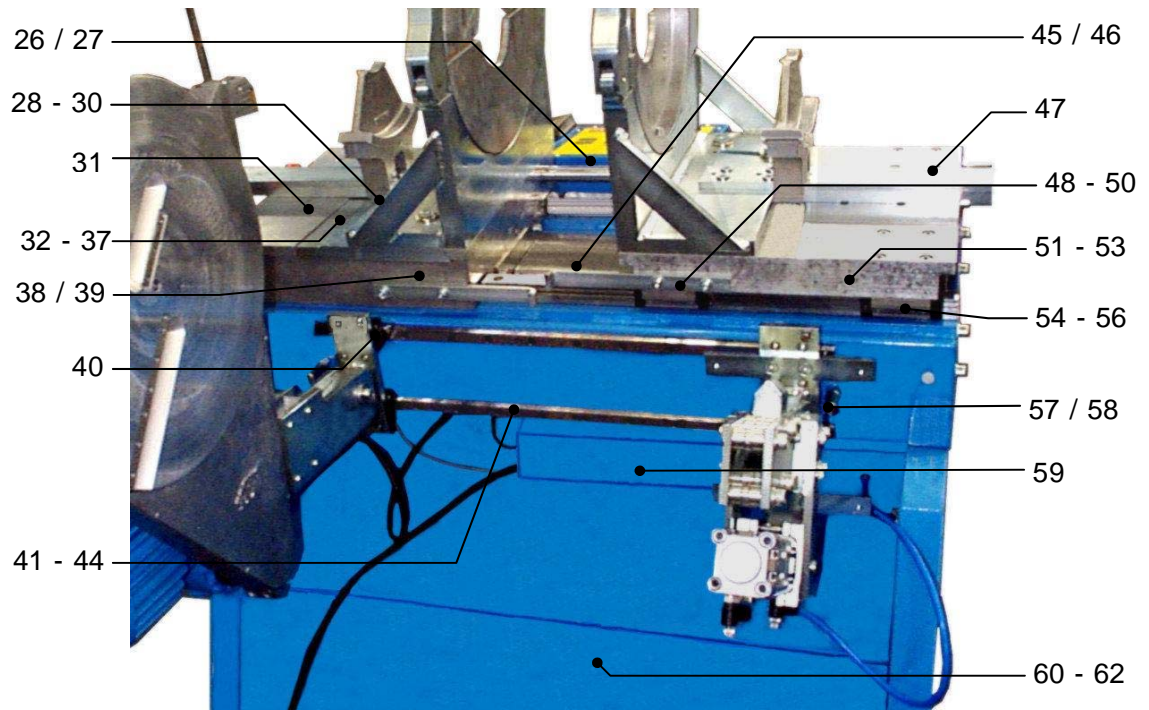
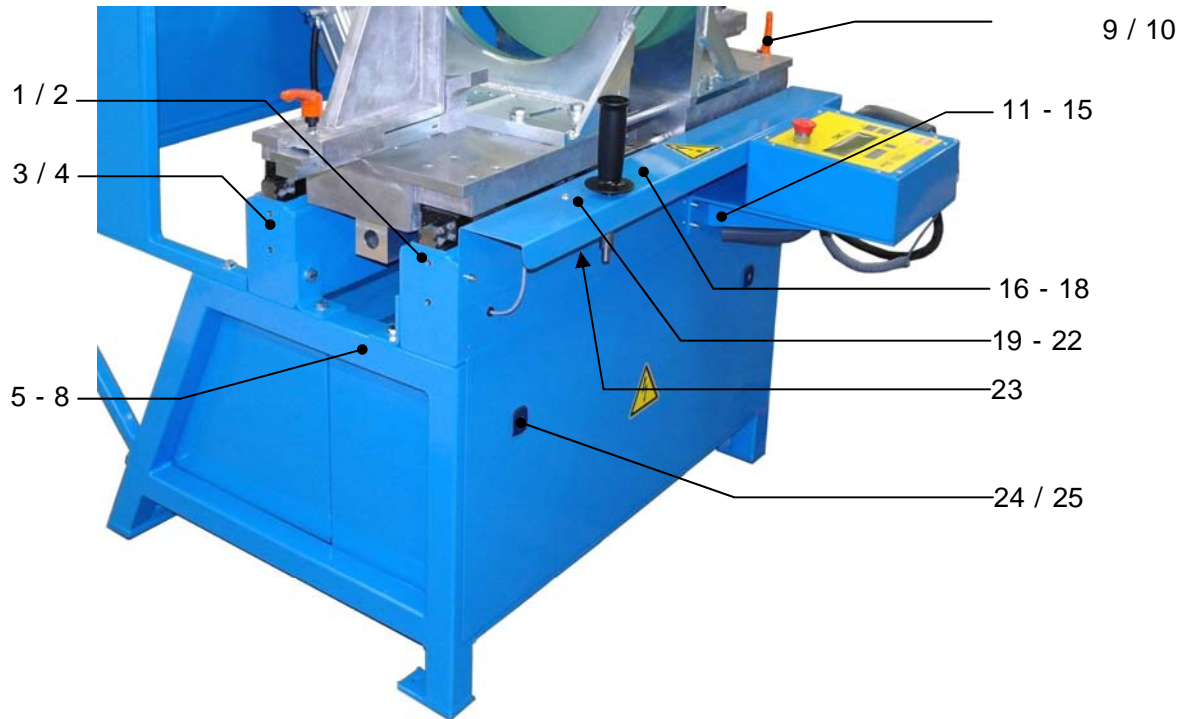


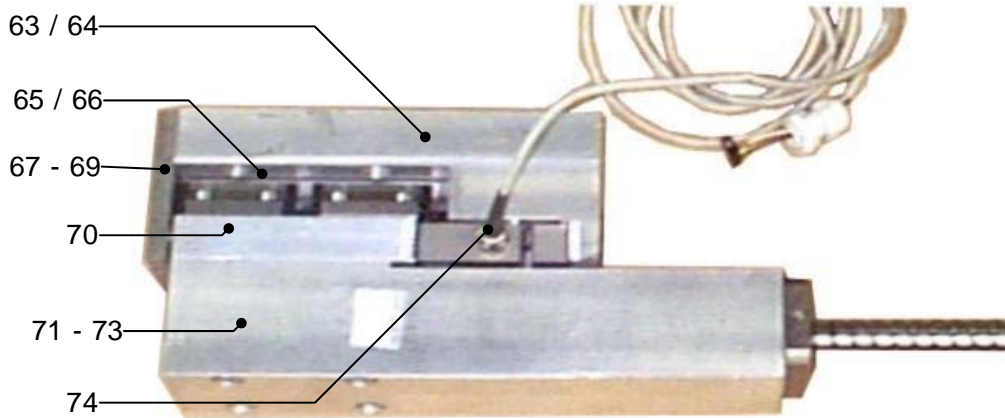
9. Spare parts list

9.1. Basic machine

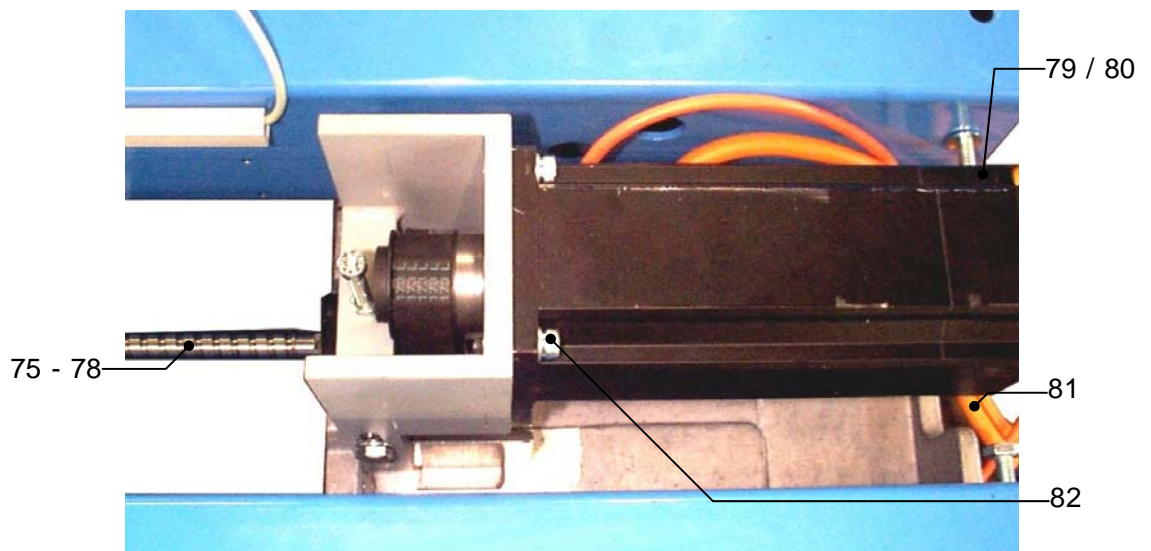


Servo drive:

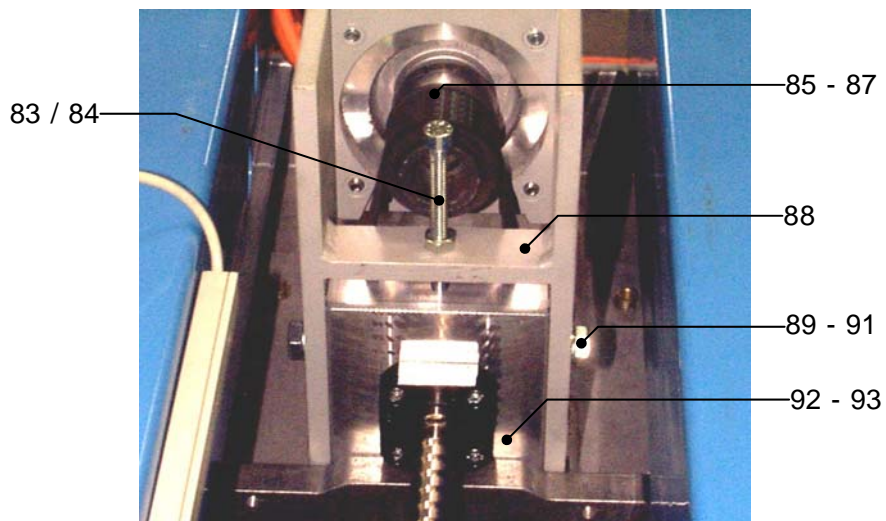
(Left button side of slide - dismantled)

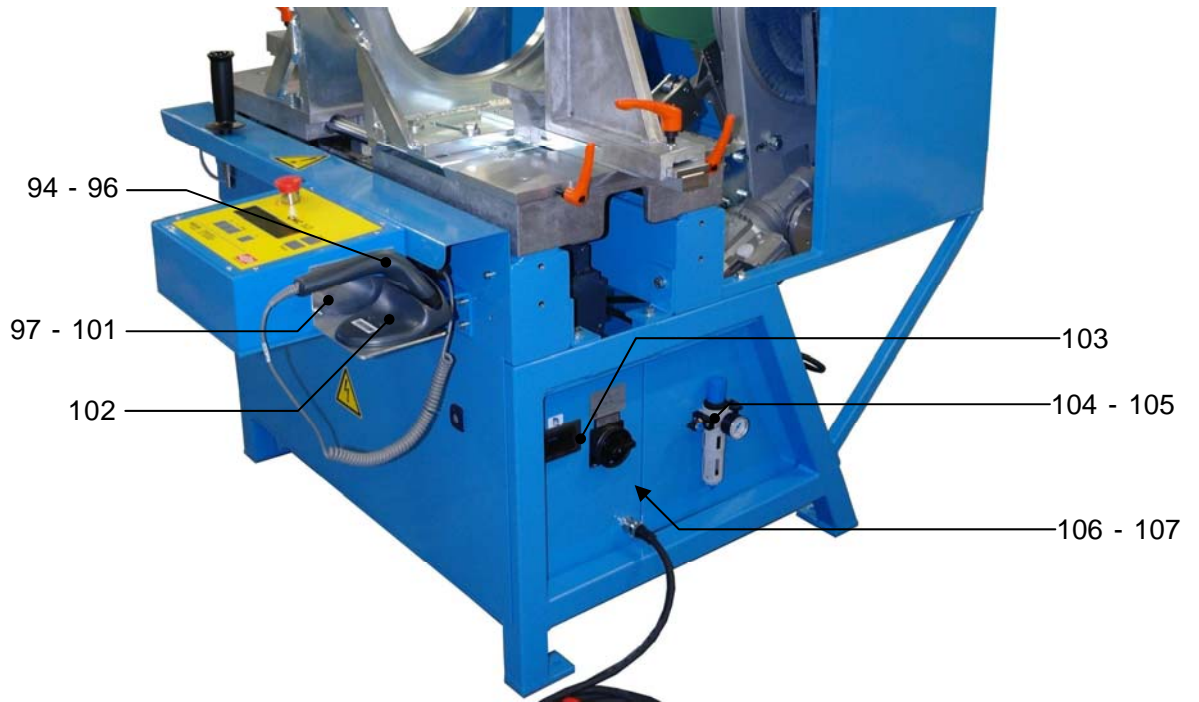


(right button side of slide)

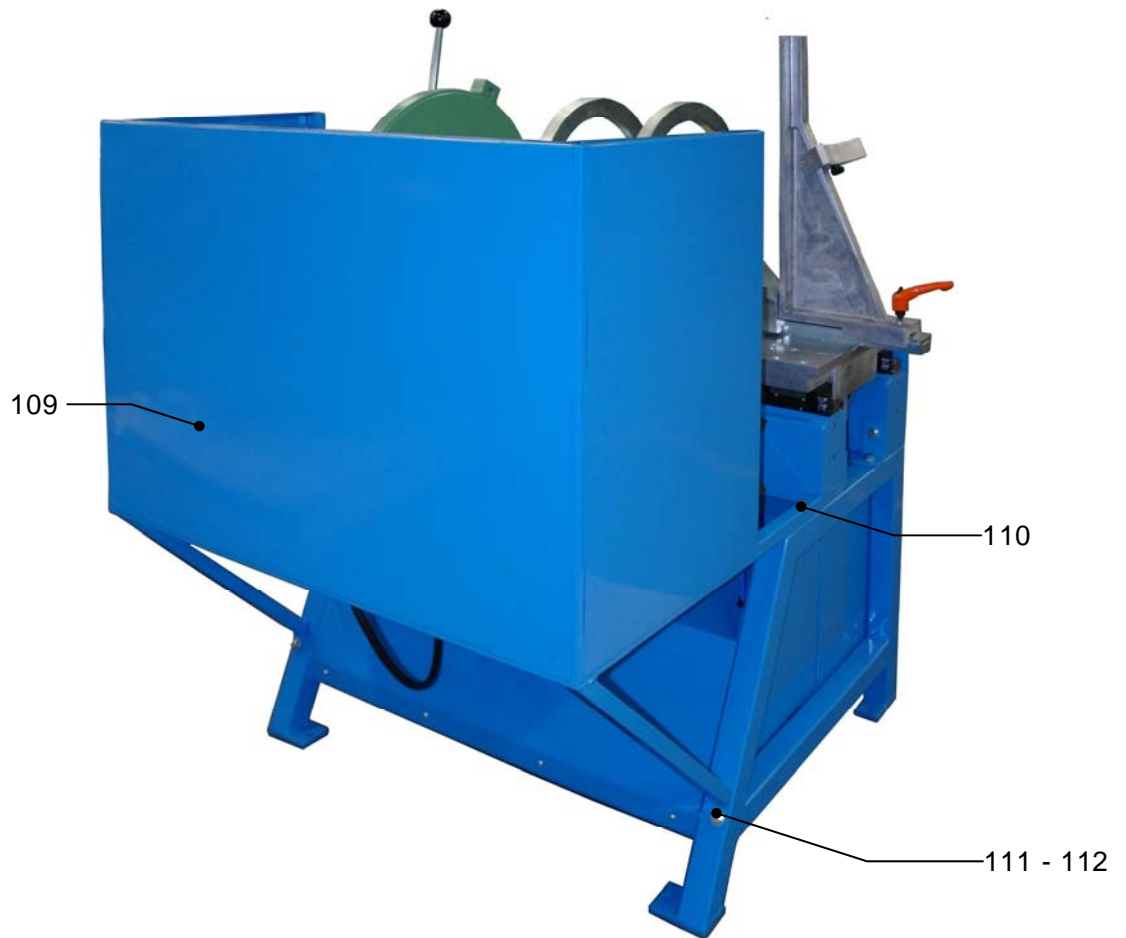


(right button side of slide lateral view)





(Basic machine rear view)



WIDOS 4002 S CNC **Basic unit**

<i>Pos.</i>	<i>Name</i>	<i>Piece</i>	<i>Order no.</i>
1	Frontal girder	1	023102
2	Rivet nut M 10	5	N1002
3	Rear girder	1	023104
4	Rivet nut M 10	5	N1002
5	Angle	2	023103
6	Pan-head screw M 10x25 DIN 912	8	0912J025
7	Washer M10 DIN 125	8	0125J
8	Basic frame	1	172131
9	Clamping lever (threaded length 30 mm)	2	BM10030
10	Straight pin 8x120 DIN 6325	2	6325H120
11	Angle bracket for control panel	1	172235
12	Hexagon-head screw M 8 x 16 DIN 933	4	0933H016
13	Washer M 8 DIN 9021	4	9021H
14	Hexagon-head screw M 6 x 12 DIN 933	4	0933F
15	Hexagon nut M 6 DIN 934	4	0934F
16	Covering in front	1	172318
17	Pan-head screw M 5 x 1225 DIN 912	4	0912E012
18	Washer M 5 DIN 9021	4	9021E
19	Flat-head screw M4x30 DIN 965	2	0965C030
20	Collar M4	2	ROSM4
21	Washer M4 DIN 125	2	0125D
22	Lock nut M 4 DIN 985	2	0985D
23	Position switch	1	ES10305
23	Cover for electric box	1	172239
24	Lock	2	J5402ALL
25	Shaft (d = 25, l= 275 mm)	1	023120
26	Guide bearing	1	LKH2540
27	Pan-head screw M 10x90 DIN 912	2	0912J090
28	Pan-head screw M 10x70 DIN 912	4	0912J070
29	Plate, horizontal movement	1	023108
30	Slide, right	1	023106
31	Guide rod	2	023107
32	Pan-head screw M 10x40 DIN 912	2	0912J040
33	Grub screw M 6x10 DIN 913	1	0913F010
34	Thread insert M 10	4	GEW-M10
35	Counter nut M 10 DIN 985	2	0985J
36	Washer M 10 DIN 125	2	0125J
37	Pull off claw for heating element (fixed)	1	172506
38	Pan-head screw M6x20 DIN 912	2	0912F020
39	Washer M6 DIN 125	2	0125F
40	Slide for linear guide	4	L20ELZ
41	Linear guide	2	L20700
42	Fitting cap	24	L20501
43	Pan-head screw M 5x16 DIN 912	24	0912E016
44	Parallel pin M 5x18 DIN 6325	4	6325E018
45	Chips skirtboard for ball screw	1	172123

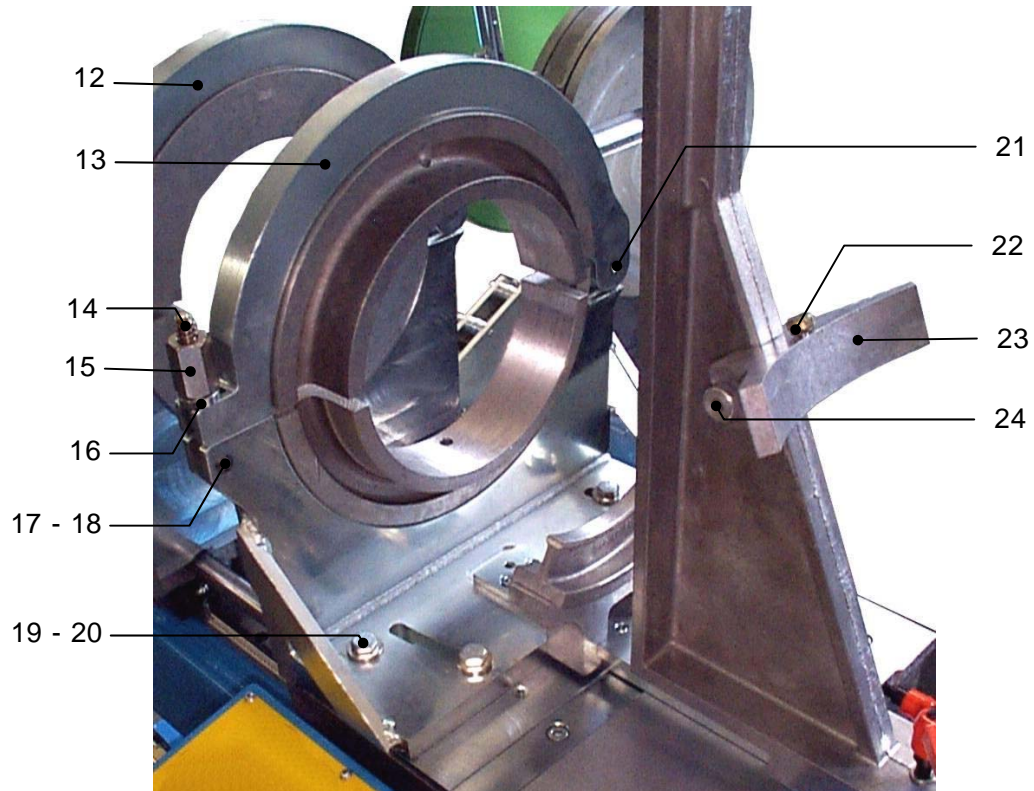
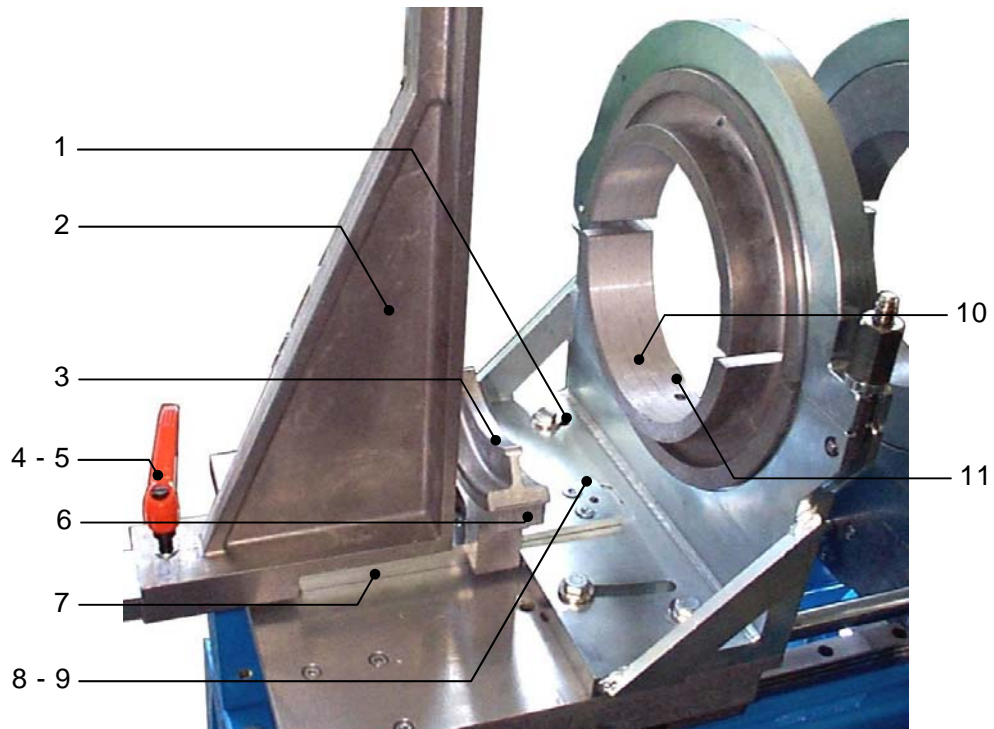
WIDOS 4002 S CNC **Basic unit**

<i>Pos.</i>	<i>Name</i>	<i>Piece</i>	<i>Order no.</i>
46	Pan-head screw M6x12 DIN 912	2	0912F012
47	Pan-head screw M 8x55 DIN 912	16	0912H055
48	Pull off claw for heating element (movable)	1	172507
49	Pan-head screw M6x12 DIN 912	2	0912F012
50	Washer M6 DIN 125	2	0125F
51	Slide, left	1	023105
52	Thread insert M 12 short	2	GEWK-M12
53	Thread insert M 12	5	GEW-M12
54	Linear guide with slide	2	L30600
55	Pan-head screw M 8x30 DIN 912	16	0912H030
56	Cap for linear guide	16	L30601
57	Stop pin	2	024105
58	Washer M 10 DIN 125	2	0125J
59	Chips skirtboard	1	172315
60	Covering behind	1	172334
61	Hexagon nut M8 DIN 934	2	0934F
62	Washer M8 DIN 9021	2	9021F
63	Girder for load cell	1	172117
64	Pan-head screw M5x16 DIN 912	3	0912E016
65	Linear guide carriage	2	L20FLZ
66	Linear guide L1S20 - 135 G 7,5	1	L20135
67	Plate for adjusting screw	1	172118
68	Pan-head screw M 10x16 DIN 7984	2	7984J016
69	Set screw M8x12 DIN 913	1	0913H012
70	Pressure pad for load cell	1	172119
71	Adapter for ball screw	1	172120
72	Stop busch for ball screw	1	172121
73	Pan-head screw M6x20 DIN 912	1	0912F020
74	Pan-head screw M8x65 DIN 912	4	0912H065
75	Force pick-up 0 - 10 kN	1	EG0504
76	Ball screw	1	LKS1701
77	Screw bearing	1	LWBK1701
78	Taper lock hub for spindle BR110 12x18	1	on request
79	Gear wheel for spindle 15 L 100-6F	1	on request
80	Servo motor 100/40060/1/0/00/00/20/00	1	AEMS1702
81	Motor cable for SM100 IGAS	1	EL1702
82	Pan-head screw M8x25 DIN 912	4	0912H025
83	Pan-head screw M 8x80 DIN 912	1	0912H080
84	Hexagon nut M8 DIN 934	1	0934H
85	Taper lock hub for motor BR110 19x27	1	on request
86	Gear wheel for motor 30 L 100-6F	1	on request
87	Sprocket belt 173L	1	on request
88	Hlder for servo motor	1	172125
89	Cylinder pin 10 M6 x 20 DIN 7	4	0007J020
90	Hexagon head screw M 10x25 DIN 933	2	0933J025
91	Washer M10 DIN 125	2	0125J

WIDOS 4002 S CNC **Basic unit**

<i>Pos.</i>	<i>Name</i>	<i>Piece</i>	<i>Order no.</i>
92	Bearing block	1	172124
93	Pan-head screw M5x18 DIN 912	4	0912E018
94	Scanner DLC 6090-M1 DATA Logik DL (optional)	1	on request
95	Plug, forming a knee	1	EST0534
96	Cable CAB-348 (optional)	1	on request
97	Fastener for scanner	1	105047
98	Pan-head screw M 4 x 12 DIN 912	4	0912D012
99	Washer M 4 DIN 125	4	0125D
100	Hexagon nut M 4 DIN 934	6	0934D
101	Pan-head screw M 4 x 25 DIN 912	2	0912D025
102	Holder for scanner (option)	1	on request
103	Flat-head screw M3x16 DIN 965	2	0965C016
104	Maintenance device LFR-1/8-D-MINI	1	on request
105	Mounting angle for filter regulating valve	1	P170006
106	Control device ISR 560/8	1	EG1701
107	Resolver wiring 100510	1	EL1701
108	Sheeting for front panel	1	EF0601
109	Safety fence	1	172530
110	Oval-head screw M 8 x16 DIN 7380	2	7380H016
111	Washer M 8 DIN 9021	2	9021H
112	Pan-head screw M 8 x 65 DIN 912	2	0912H065

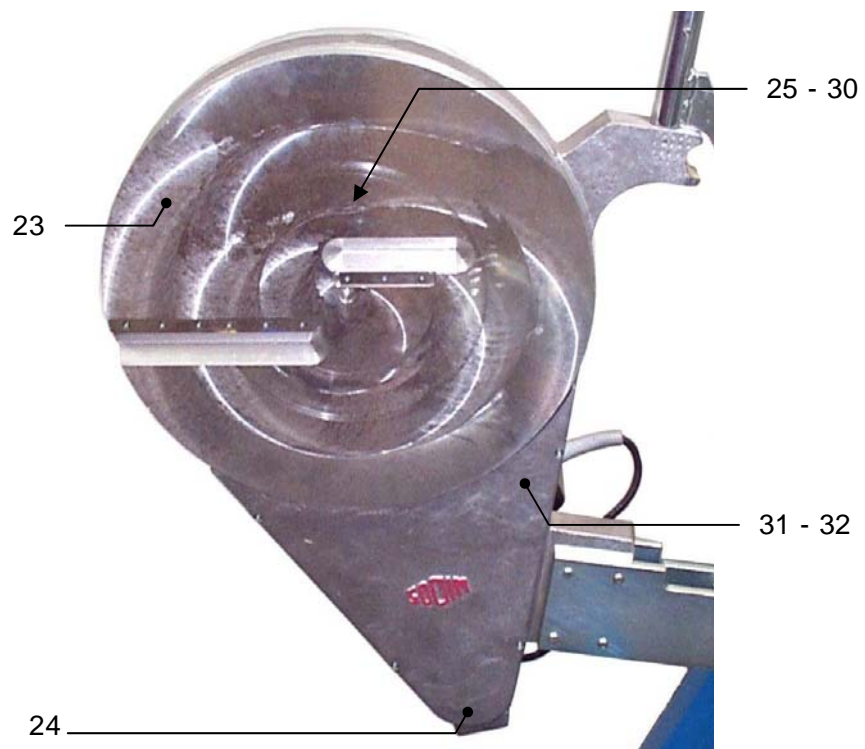
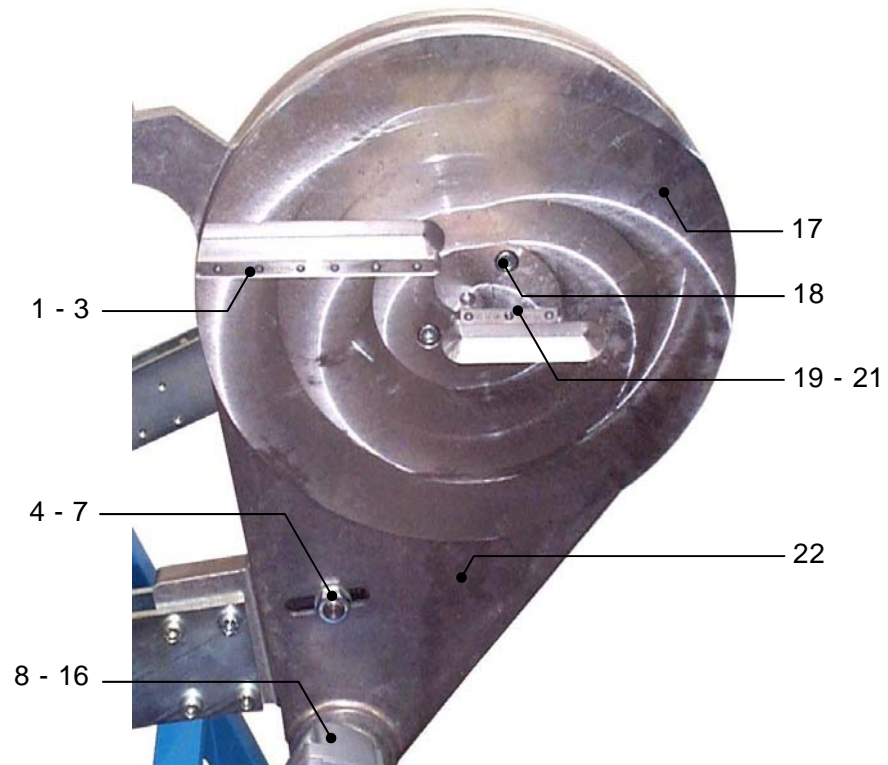
9.2. Clamping tool

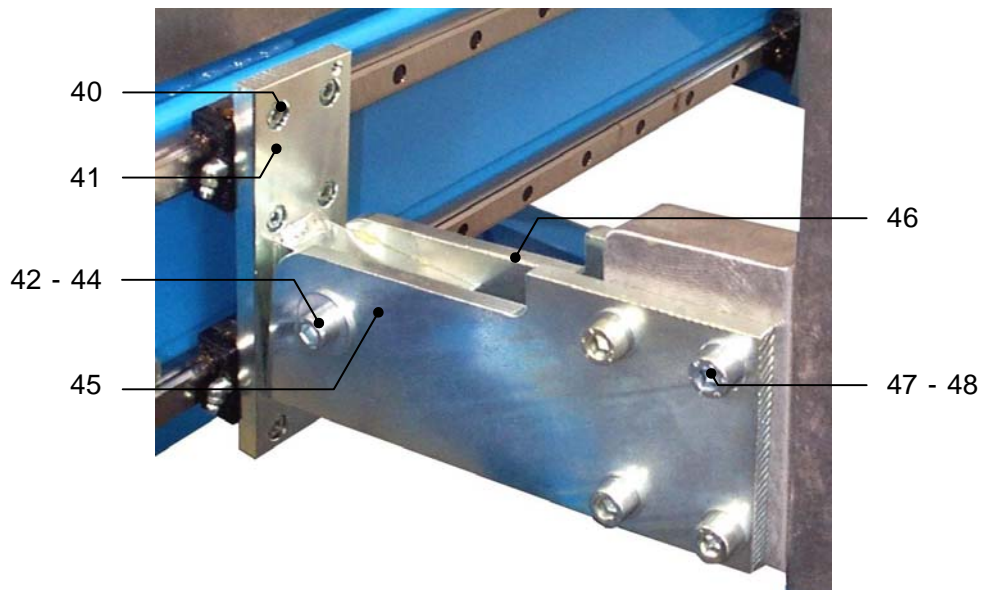
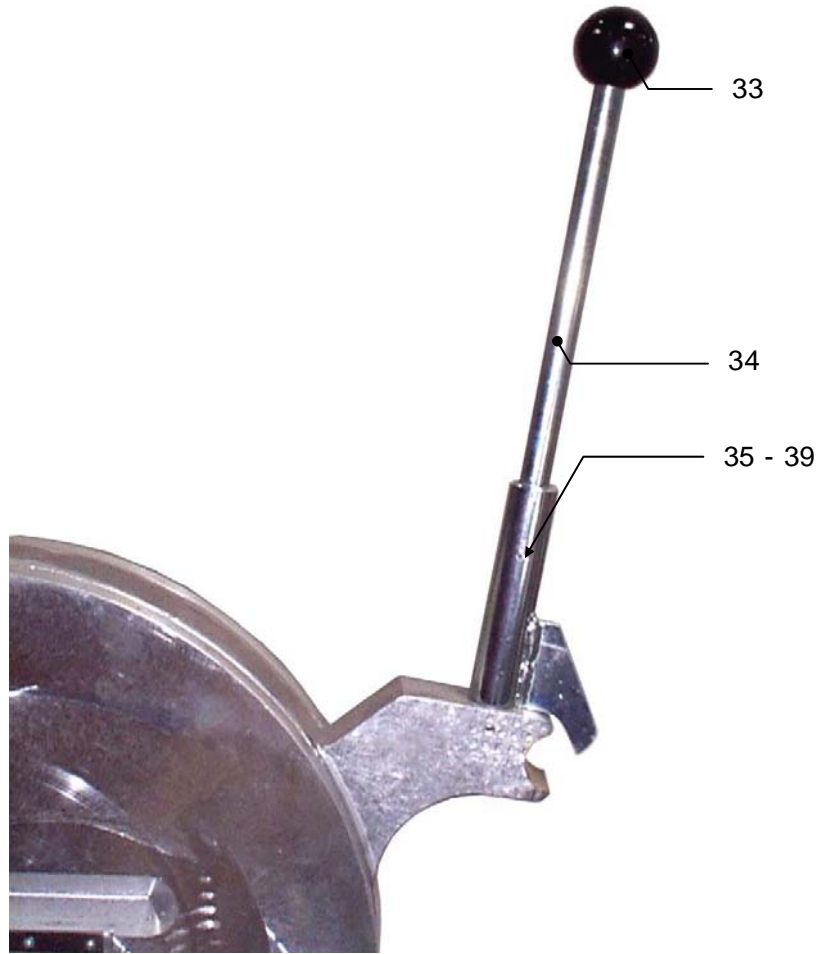


WIDOS 4002 S CNC Clamping tools

<i>Pos.</i>	<i>Name</i>	<i>Piece</i>	<i>Order no.</i>
1	Center pin	2	020117
2	Supporting angle (option)	2	023712
3	Pipe support	1 set	0206...*
4	Clamping lever M 12/30°	2	BM1230
5	Insert nut	2	023713
6	Pipe support	2	020711
7	Guide rail	2	023724
8	Pan-head screw M 10x20 DIN 7984	8	7984J020
9	Straight pin 8x20 DIN 6325	4	6325H020
10	Reduction insert	1 set	0208...*
11	Pan-head screw for reduction inserts	4	7984J30X
12	Clamping tool, left DO 335	1	S02335L
13	Clamping tool, right DO 335	1	S02335R
14	Thread spindle	2	091108
15	Nut	2	091109
16	Thrust washer	2	023708
17	Lock washer size 7 DIN 6799	2	6799G
18	Rivet for spindle	2	S0205
19	Hexagon screw M 12x35 DIN 933	6	0933L035
20	Thrust washer	6	023707
21	Rivet for joint	2	S0426
22	Knurled screw	1	S0318
23	Support for bow	1	020721
24	Knurled screw	1	S0222
--	Allan key SW 27	1	ZRS27
	* When ordering state dimension !		

9.3. Planer

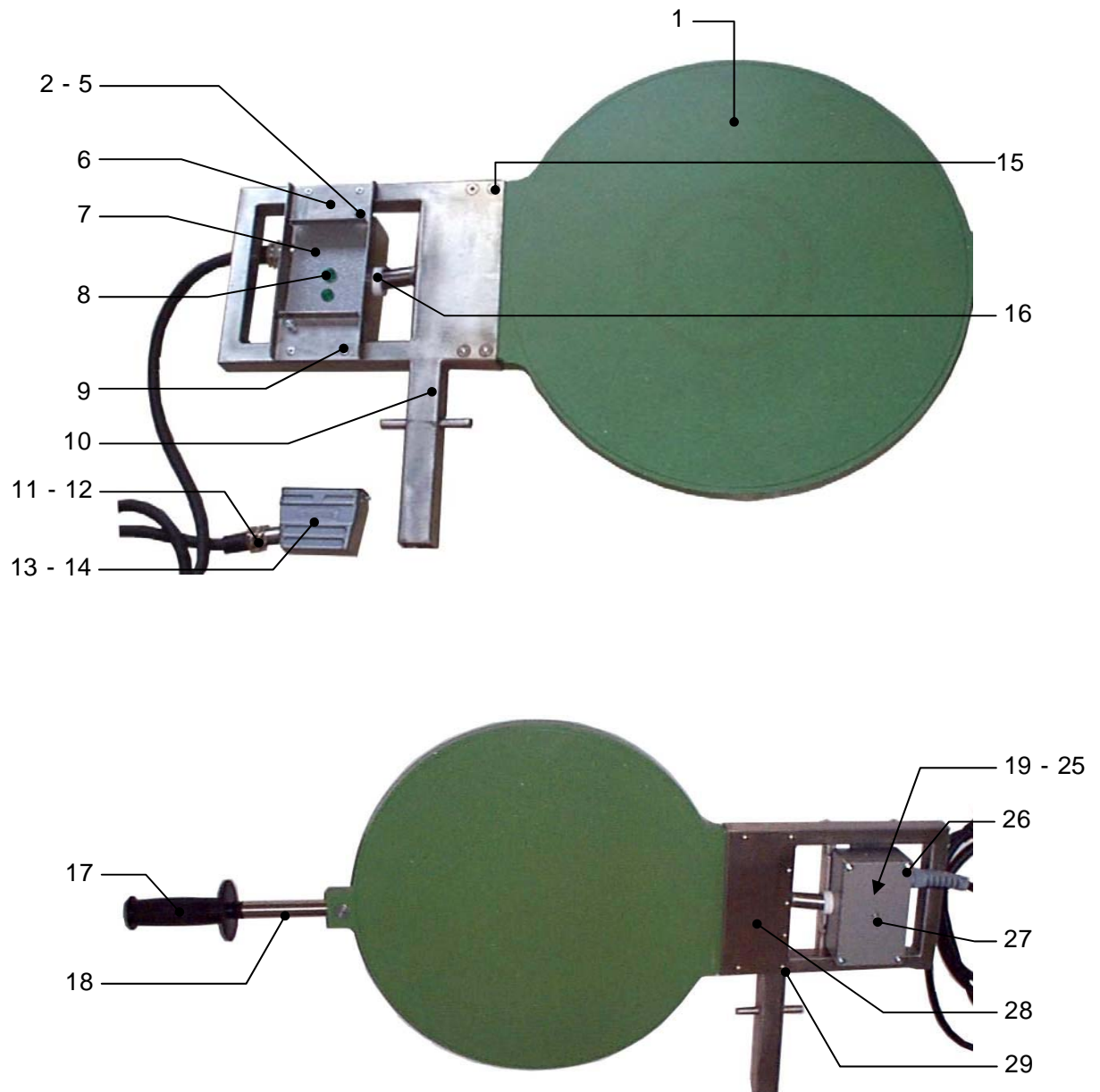




WIDOS 4002 S CNC Planer

Pos.	Name	Piece	Order no.
1	Flat-head screw M 3x8 DIN 965	12	0965C008
2	Blade	2	MES170
3	Spacer	2	MU170
4	Ball bearing	2	L6003Z
5	Hexagon nut M 16x1,5 DIN 934	1	0934Y
6	Washer M16 DIN 125	4	0125P
7	Bolt	1	210410
8	Driving motor 370W, 186 rpm; MI50FP 7164	1	AG1701
9	Drive shaft	1	4604011
10	Feather key	1	4604013
11	Motor flange	1	4604010
12	Bush for motor flange	1	172411
13	Space washer	1	on request
14	Flat-head screw M8x20 DIN 7991	1	7991H020
15	Gear cover	1	4604008
16	Pan-head screw M6x12 DIN 912	2	0912F020
17	Planer disc, right	1	210402
18	Pan-head screw M 10x40 DIN 912	2	0912J040
19	Blade	2	MES072
20	Spacer	2	MU072
21	Flat-head screw M 3x8 DIN 965	6	0965C008
22	Fastener for planer	1	023401
23	Planer disc, left	1	210403
24	Pan-head screw M 8x35 DIN 912	2	0912H035
25	Ball bearing	1	L6020
26	Chain wheel, small (11 teeth)	1	K38011
27	Chain wheel, large 3/8" (95 teeth)	1	023406
28	Chain 3/8" (143 links)	1	K38143
29	Chain joint 3/8"	1	KSCH38
30	Flat-head screw M 8x12 DIN 7991	4	7991H012
31	Cover	1	023404
32	Pan-head screw M 4x12 DIN 912	4	0912D012
33	Ball button C 40 DIN 319	1	0319C40
34	Handle bar	1	071409
35	Guide bolt	1	023407
36	Bolt	1	023408
37	Stud bolt	1	023409
38	Claw	1	023410
39	Spring	1	023411
40	Pan-head screw M6x20 DIN 912	8	0912F020
41	Mounting plate	1	024405
42	Washer M10 DIN 9021	2	9021J
43	Bolt for retaining plate	1	024404
44	Cylinder-head screw M10x25 DIN 912	2	0912J025
45	Retaining plate with hole	1	024402
46	Retaining plate with thread	1	024401
47	Pan-head screw M10x55 DIN 912	4	0912J055
48	Washer M10 DIN 125	4	0125J

9.4. Heating element

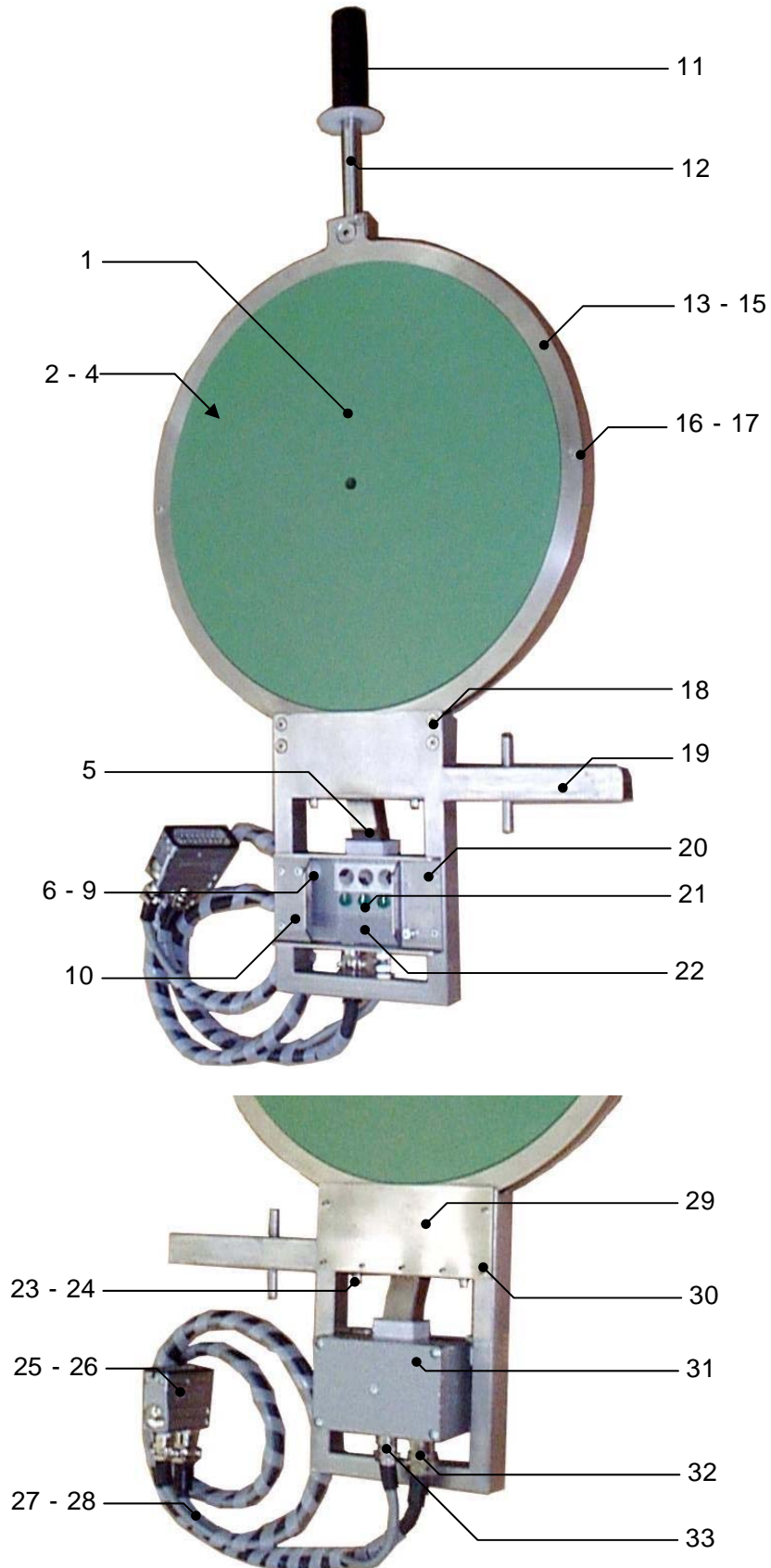


WIDOS 4002 S CNC Heating element

<i>Pos.</i>	<i>Name</i>	<i>Piece</i>	<i>Order no.</i>
1	Heating element H 4002, 230 V	1	H4002E
	Heating plate new	1	HP4002E
	Heating plate in exchange	1	HPT4002E
2	Pan-head screw M 5x25 DIN 912	2	0912E025
3	Washer M 5 DIN 125	2	0125E
4	Spring washer M 5 DIN 127	2	0127E
5	PTFE-distance washer	2	H2110
6	Screen	1	on request
7	Cap for control	1	H21151
8	Control lamp green	1	H2105
9	Blind rivet	4	7337D010
10	Frame for heating element	1	on request
11	Rubber cable 5x1,5 mm ²	1	EL02515
12	Antikink union joint PG 16/13	2	EVH1613
13	Nozzle housing (16 pole)	1	EST0542
14	Bolt insert (16 pole)	1	EST0543
15	Flat-head screw M 6x12 DIN 7991	8	7991F012
16	PTFE-distance washer	1	H2103
17	Grip for heating element	1	H0205
18	Handlebar	1	02350052
19	Electronic control GZ 4 without sensor	1	H0928230
20	Triac	1	H09083
21	Sensor PT 1000	1	H09082
22	Terminal lustre, triple	1	EA1001
23	Pan-head screw M 3x12 DIN 912	2	0912C012
24	Knee for terminal lustre	1	H2112
25	Flat-head screw M 4x10 DIN 7991	1	7991D010
26	French head screw M 4x10 DIN 7985	4	7985D010
27	Housing with cap for control	1	H2114
28	Cover plate	1	H2116
29	Oval-head screw M 3x5 DIN 7985	7	7985C005

9.5. Three zone heating element (alternative)

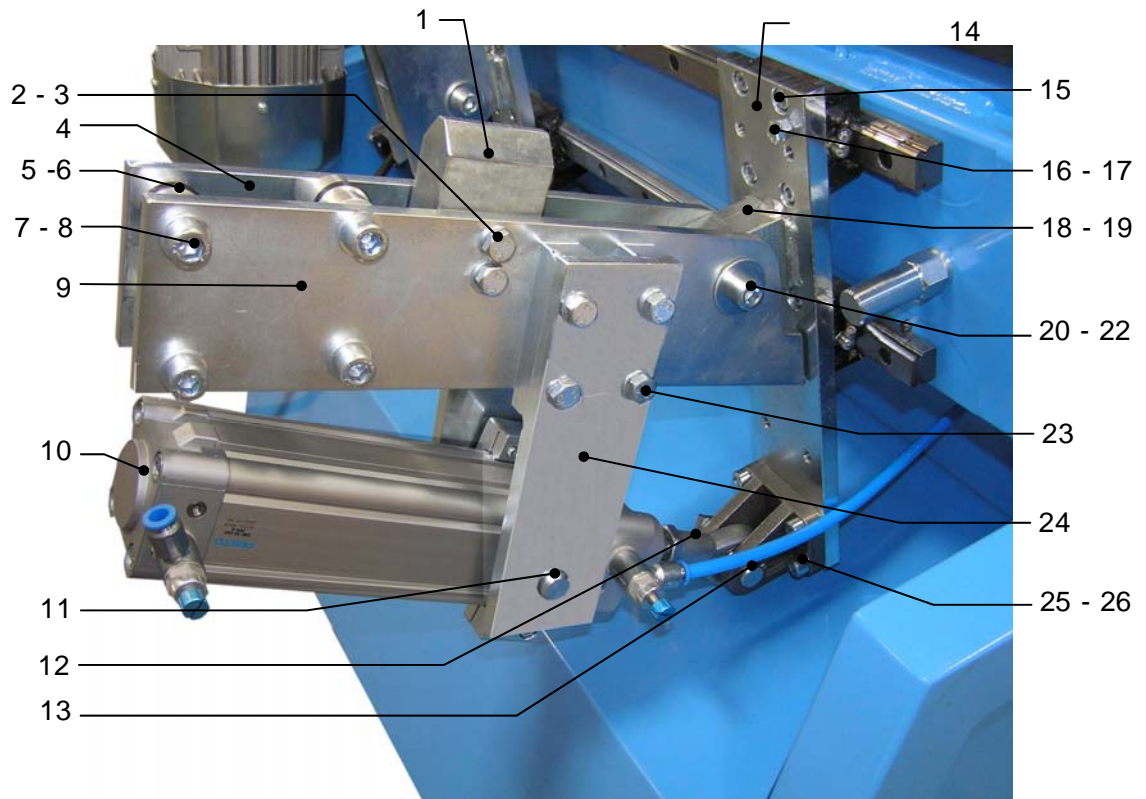
(Expansion requires reconstruction of the machine)



WIDOS 4002 S CNC Three-zone-heating element (alternative)

<i>Pos.</i>	<i>Name</i>	<i>Piece</i>	<i>Order no.</i>
1	Three-zone heating element H 4002, 230 V	1	H4002Z3
	Three-zone heating plate new	1	HP4002Z3
	Three-zone heating plate in exchange	1	HPT4002Z3
2	Heating cartridge Ø 10x130 - 315W	6	H1701
3	Heating cartridge Ø 10x160 - 630W	3	H1702
4	Sensor PT 1000	3	H09082
5	PTFE-distance washer	1	172569
6	Pan-head screw M 5x25 DIN 912	2	0912E025
7	Washer M 5 DIN 125	2	0125E
8	Spring washer M 5 DIN 127	2	0127E
9	PTFE-distance washer	2	H2110
10	Blind rivet	4	7337D010
11	Grip for heating element	1	H0205
12	Handlebar	1	02350052
13	Frame plate	2	172562
14	Clamping element	2	172563
15	Tightening strap	1	172564
16	Tread bushing	2	172567
17	Flat-head screw M 6x10 DIN 7991	4	7991F010
18	Flat-head screw M 6x12 DIN 7991	4	7991F012
19	Frame for heating element	1	on request
20	Frame for heating element	1	211006
21	Control lamp yellow	3	H2105
22	Cap for control	1	H2115
23	Cylinder head screw M 6x30 DIN 912	2	0912F030
24	Washer M 6 DIN 125	2	0125F
25	Nozzle housing (16 pole)	1	EST0542
26	Bolt insert (16 pole)	1	EST0543
27	Cable 7 x 0,75 mm ²	1	on request
28	Cable 5 x 1,5	1	on request
29	Cover plate	1	H2116
30	Oval-head screw M 3x5 DIN 7985	7	7985C005
31	Housing with cap for control	1	H2114
32	Antikink union joint PG 16/13	2	EVH1613
33	Antikink union joint PG11/9	2	EVH1109

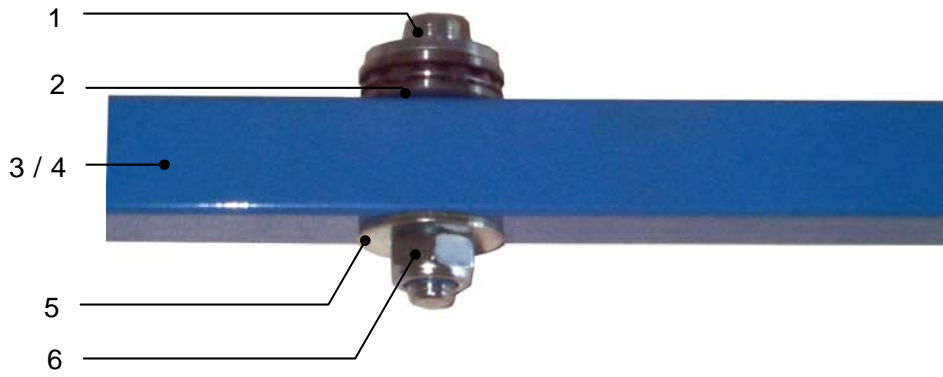
9.6. Heating element holder



WIDOS 4002 S CNC Heating element holder

<i>Pos.</i>	<i>Name</i>	<i>Piece</i>	<i>Order no.</i>
1	Tear off shackle	1	172504
2	Hexagon-head screw M8x20 DIN 934	2	0934 H020
3	Washer M8 DIN 125	2	0125H
4	Retaining plate with thread	1	024501
5	Roller	4	023503
6	O - ring	4	D18x4
7	Pan-head screw M10x55 DIN 912	4	0912J055
8	Washer M10 DIN 125	4	0125J
9	Retaining plate with hole	1	024502
10	Cylinder	1	P170001
11	Swivel pin	1	P170002
12	Swivel head	1	P170003
13	Bearing block	1	P170004
14	Mounting plate	1	172505
15	Pan-head screw M6x20 DIN 912	8	0912F020
16	Hexagon-head screw M5x20 DIN 934	1	0934E020
17	Hexagon nut M5 DIN 934	1	0934E
18	Holding plate for protective mounting	2	172508
19	Flat-head screw M8x20 DIN 7991	4	7991H020
20	Bolt for retaining plate	1	024404
21	Pan-head screw M10x25 DIN 912	2	0912J025
22	Washer M10 DIN 9021	2	9021J
23	Hexagon-head screw M8x35 DIN 933	8	0933H035
24	Surveying for cylinder	2	172503
25	Pan-head screw M8x25 DIN 912	4	0912H025
26	Washer M8 DIN 125	4	0125H

9.7. Planer girder for planing only at one side



WIDOS 4002 S CNC Planer girder for planing only at one side

<i>Pos.</i>	<i>Name</i>	<i>Piece</i>	<i>Order no.</i>
1	Centering bolt	1	023418
2	Bearing	1	L51103
3	Plane girder for planing only at one side	1	023427
4	Protective cap (25x25x3)	2	J0205
5	Washer M 10 DIN 9021	2	9021J
6	Counter nut M 10 DIN 985	1	0985J