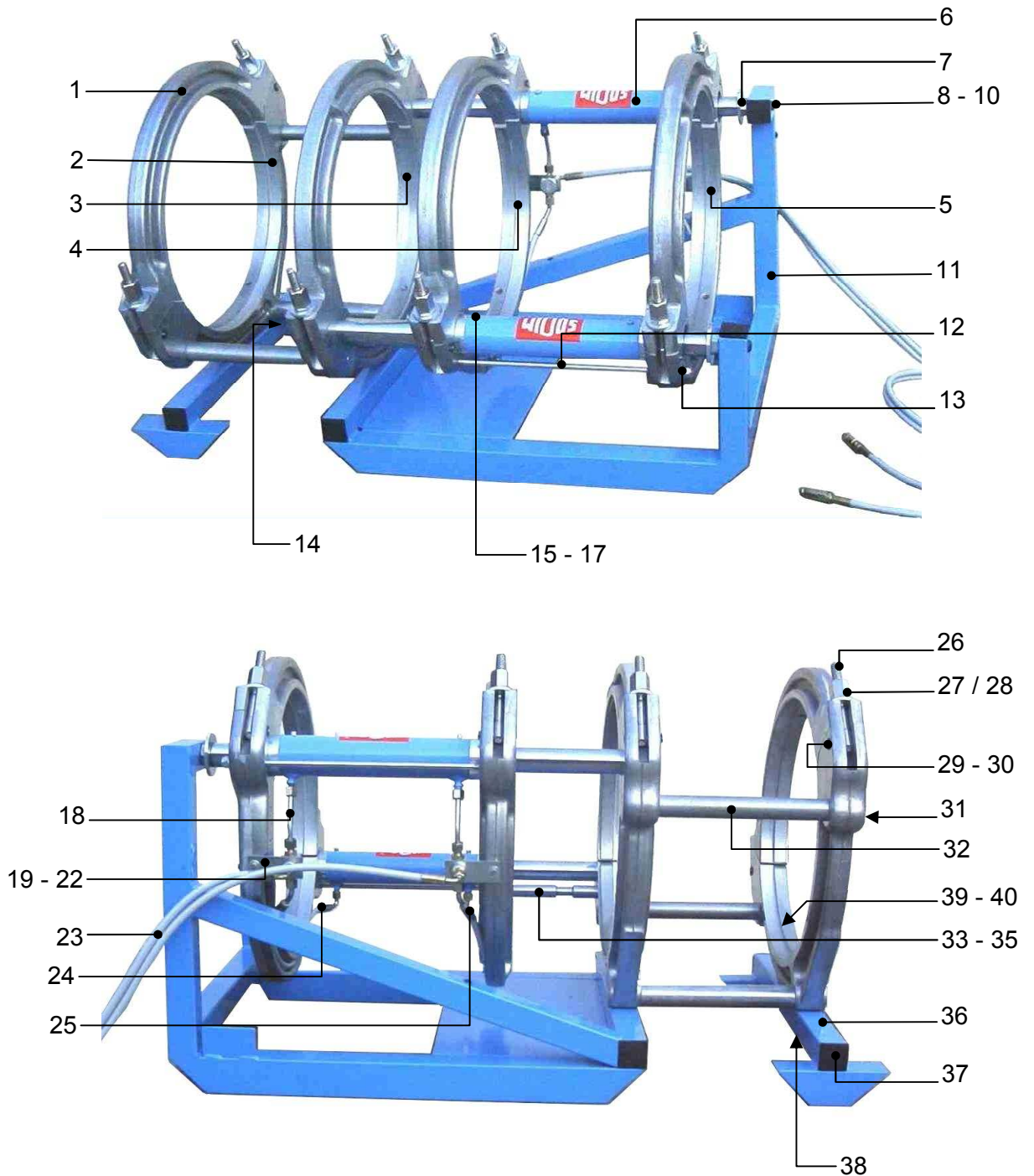


10. Spare parts list

10.1. Basic machine



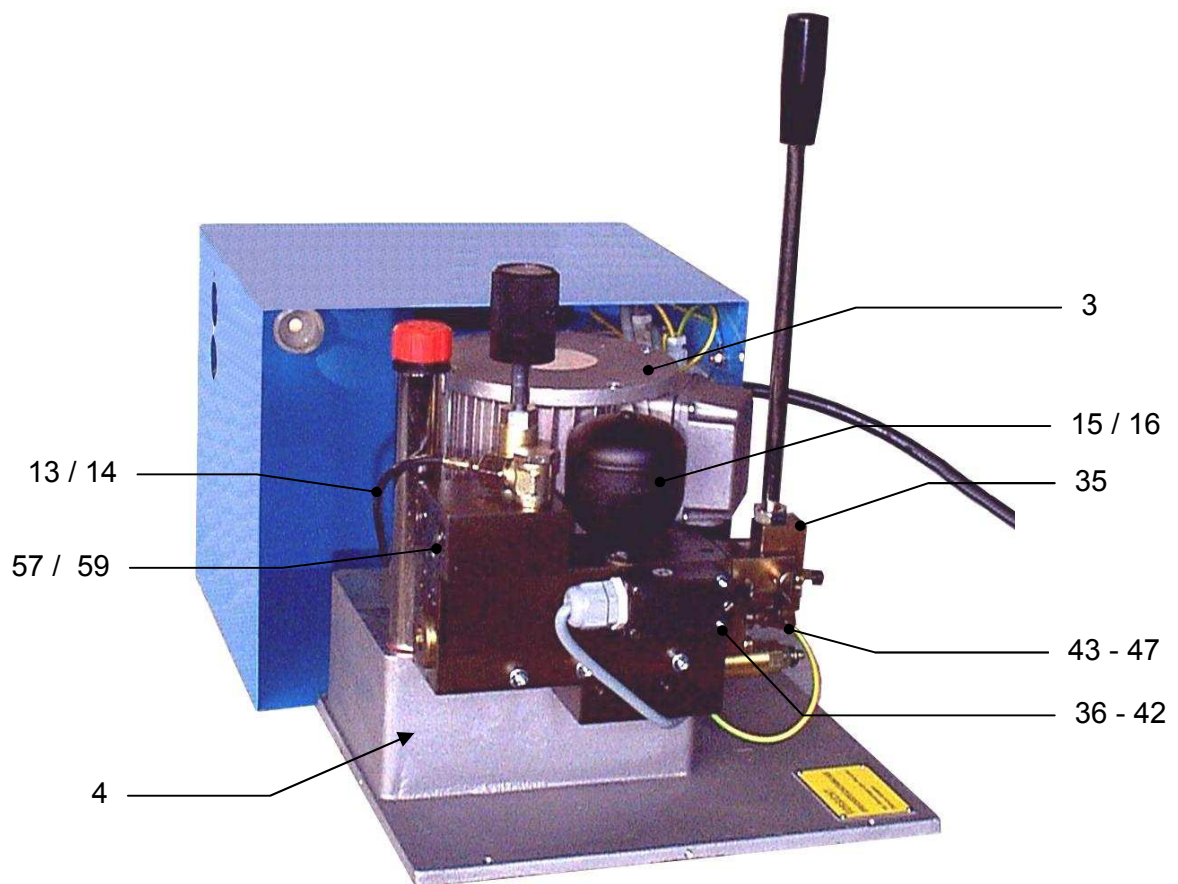
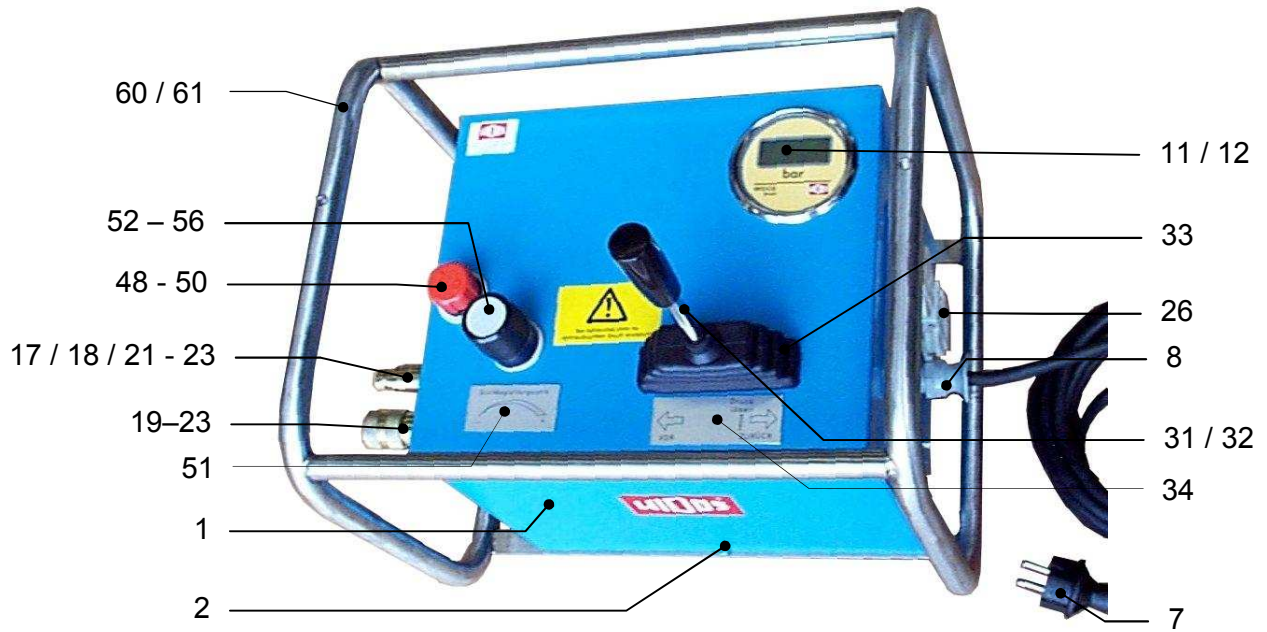
Basic machine WIDOS 5100

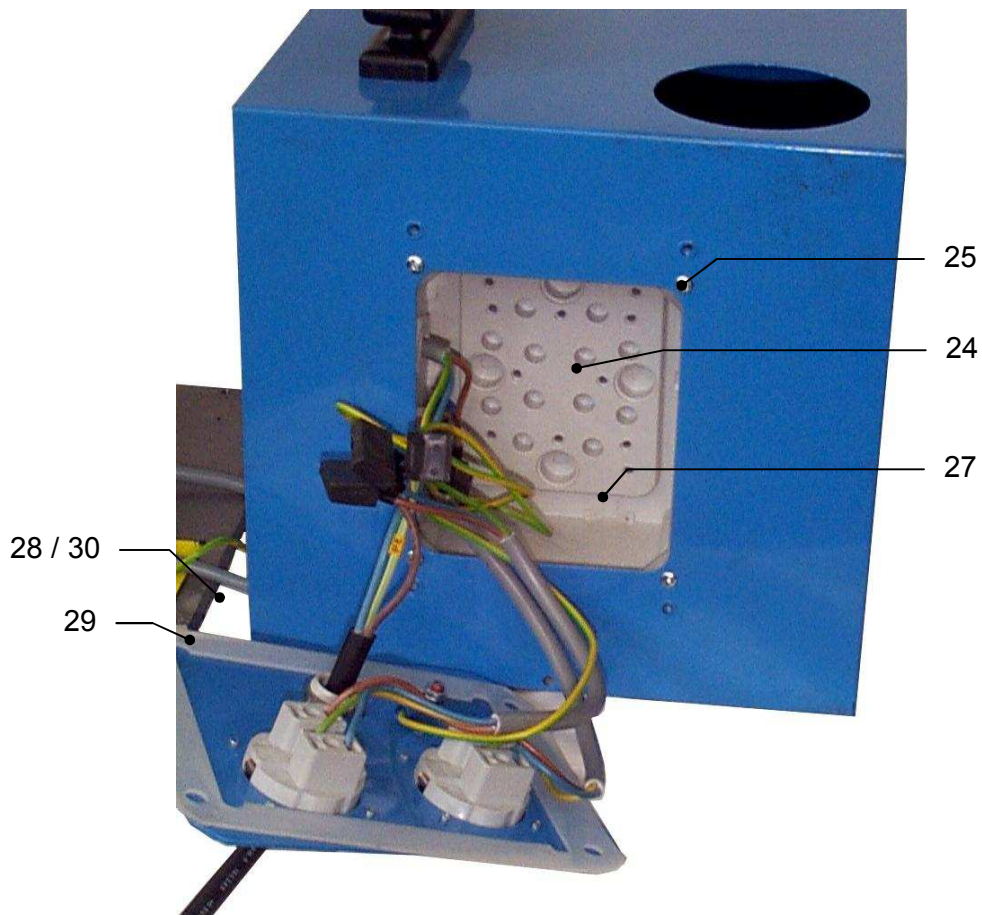
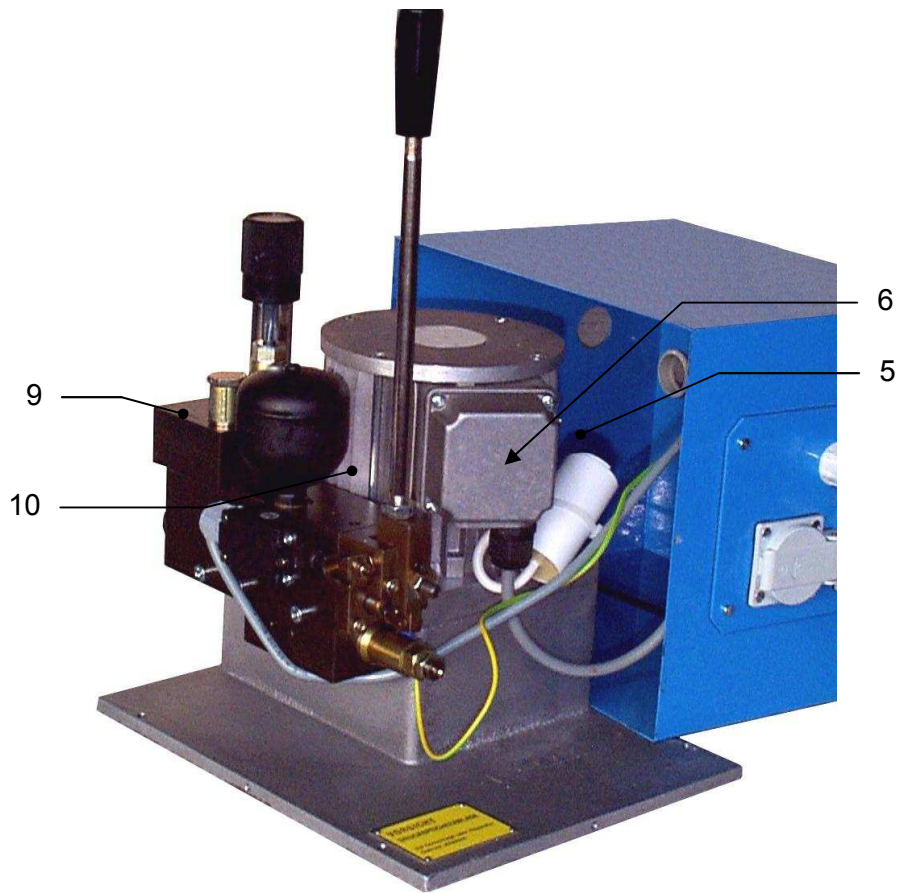
Pos.	Name	Piece	Art.no.
1	Upper clamp	4	071105
2	Outer clamp, fixed	1	071101
3	Inner clamp, fixed	1	071102
4	Inner clamp, movable	1	071103
5	Outer clamp, movable	1	071104
6	Hydraulic cylinder	2	071106
	Gasket set for cylinder	2 set	D0711061
7	Stop bolt	2	091117
8	Pressure disc	2	071133
9	Pan-head screw M10x25 DIN 912	2	0912J025
10	Protective cap, round	2	J0216
11	Base frame	1	071118
12	Tie rod	2	071107
13	Counter nut M10 DIN 985	2	0985J
14	Flat-head screw M 16x30 DIN 7991	2	7991P030
15	Cylinder head screw M6x10 DIN 912	4	912F010
16	Usitring 6x9,3x1	4	D6x9,3
17	Wascher M8 DIN 125	4	0125H
18	Fluid power cylinder	2	071113
19	Holder for filter	2	093119
20	Hexagon screw M8x20 DIN 933	2	0933H020
21	Filter	2	V092114
22	Screwed connection GE 8 LR 3/8"	2	VXGE8L38
23	Hose bunch, on one side	2	VSCHL5100
24	Hydraulic hose short, left	1	on request
	Hydraulic hose simple	1	VSCHL61
	Compressed bushing	2	VP256
	Bow-shaped nipple	1	VB386
	Bow-shaped 45°	1	DKOR6
25	Hydraulic hose short, right	1	on request
	Hydraulic hose simple	1	VSCHL61
	Compressed bushing	2	VP256
	Bow-shaped nipple	1	VB386
	Bow-shaped 45°	1	DKOR6
26	Threaded rod	8	071108
27	Nut	8	071109
28	Pressure disc M 14 DIN 6340	8	6340P
29	Rivet	8	071111
30	Lock washer Gr.9 DIN 6799	8	6799I
31	Flat-head screw M 16x30 DIN 7991	6	7991P030
32	Shaft	3	071131
33	Tear-off bar	1	071503
34	Hexagon screw M8x12 DIN 933	2	0933H012
35	Washer M10 DIN 9021	2	9021H

Basic machine WIDOS 5100

Pos.	Name	Piece	Art.no.
36	Support	1	071141
37	Protective cap 45x45	6	J0225
38	Pan-head screw M10x20 DIN 912	3	0912J020
39	Reduction insert OD 355-400	1 set	0708...*
	Adaptor half coupling (OD 315)	1 set	071142
	Reduction insert OD 200-280	1 set	3808...*
40	Screw M10x30 DIN 7884 (OD 400)	8	7984J30X
	Screw M10x35 DIN 7984 (OD 355)	8	7984J35X
	Screw for adapter half coupling M10x70 (OD 315)	8	7984J70X
	Screw M6x25 f. reduction inserts OD 280	8	0912F25X
	Screw M6x30 f. reduction inserts OD 200-250	8	0912F30X
--	Hydraulic oil HLDP 32	2 l	HLPD35
--	Socket spanner size 27	1	ZRS27
--	Plate "manometer"	1	SCHM5100
--	Type plate	1	SCHT5100

10.2. Hydraulic aggregat

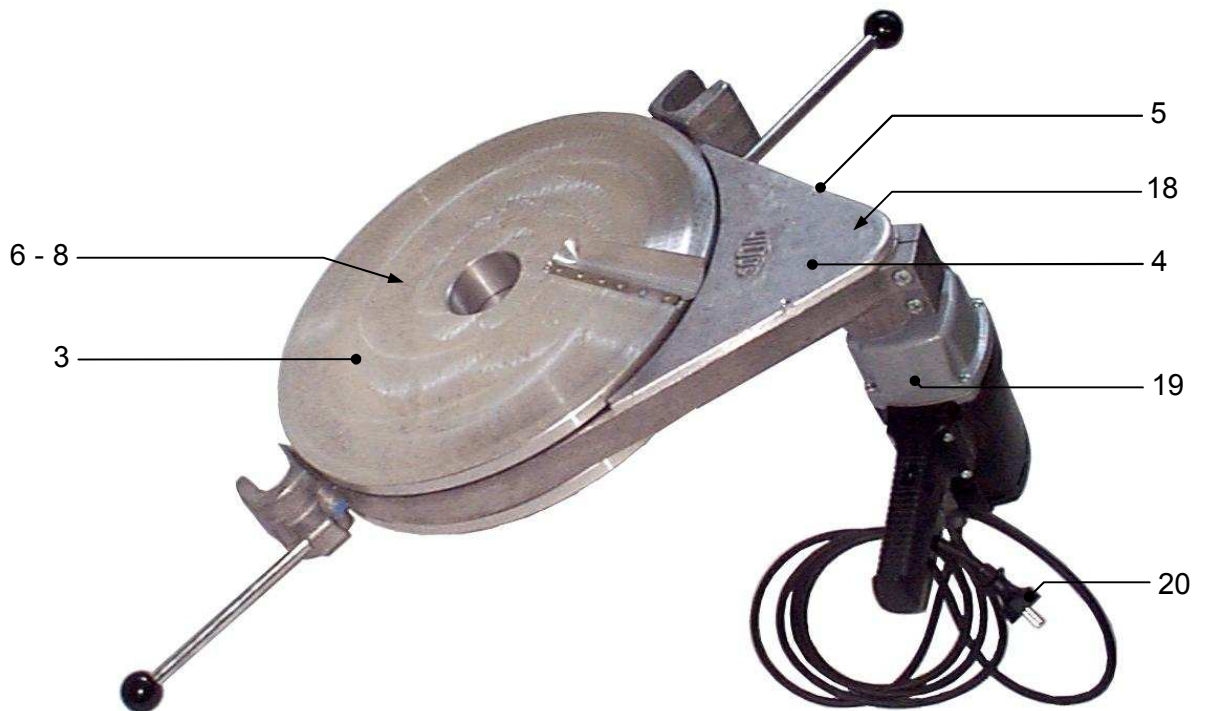
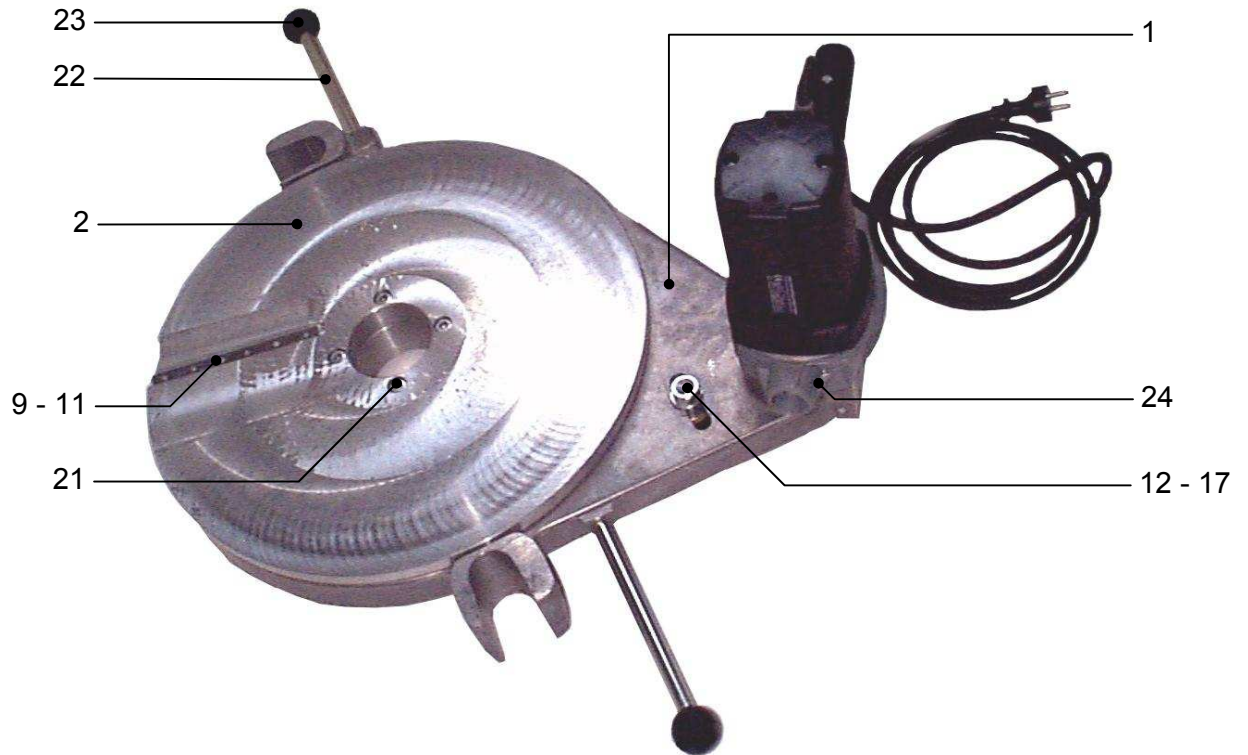




Hydraulic Aggregate WIDOS 5100			
Pos.	Name	Piece	Order no.
1	Cover	1	1010021
2	Pan-head screw M4x12 DIN 912	4	0912D012
3	Motor	1	on request
4	Pump 1,9 l	1	102103
5	Capacitor 12,5 µF	1	EK12220
6	Universal RC - link	1	EE0104
7	Connection cable with plug	1	EK32220
8	Screwed connection PG 13,5	1	EV0113
9	Valve	1	on request
10	Pan-head screw M6x45 DIN 912	4	0912F045
11	Manometer	1	101004
12	Manometer connection	1	V042314
13	Mini hose	1	on request
14	Hose screwing	1	101008
15	Accumulator	1	101006
16	Ring for sealing 16x22,7x1,5	1	D16x22,7
17	Coupling sleeve flat packing	1	VMU14
18	Synthetic cap fVMU14	1	VKM14
19	Coupling plug flat packing	1	VST14
20	Synthetic cap fVMST14	1	VKS14
21	Ring for sealing 16x22,7x1,5	2	D16x22,7
22	Screwed connection	2	V101024
23	O - ring 19x1,5	2	D19x1,5
24	Distributor box	1	on request
25	Pan-head screw M4x10 DIN 912	2	0912D010
26	Socket	2	EST0701
27	Seal, inside	1	1010024
28	Side part	1	1010022
29	Seal, outside	1	1010023
30	Pan-head tapping screw 3,5 x 20	4	7971C020
31	Stick for valve	1	101013
32	Cylinderknob M10	1	101033
33	Boot	1	101035
34	Plate "Pressure loosen"	1	SCHD-L
35	Hexagon nut M10 DIN 934	1	0934J
36	Pressure switch	1	on request
37	Pan-head screw M4x25 DIN 84	2	0084D025
38	Angle for Pressure switch	1	on request
39	Washer M4 DIN 125	1	0125D
40	Pan-head screw M 4x10 DIN 912	1	0912D010
41	Set screw M5x10 DIN 915	1	0915E010
42	Bolt	1	101038
43	Adjusting screw	1	101036
44	Hexagon nut M6 DIN 934	3	0934F
45	Plug-in element P83-1/2"x3/16"	1	101043

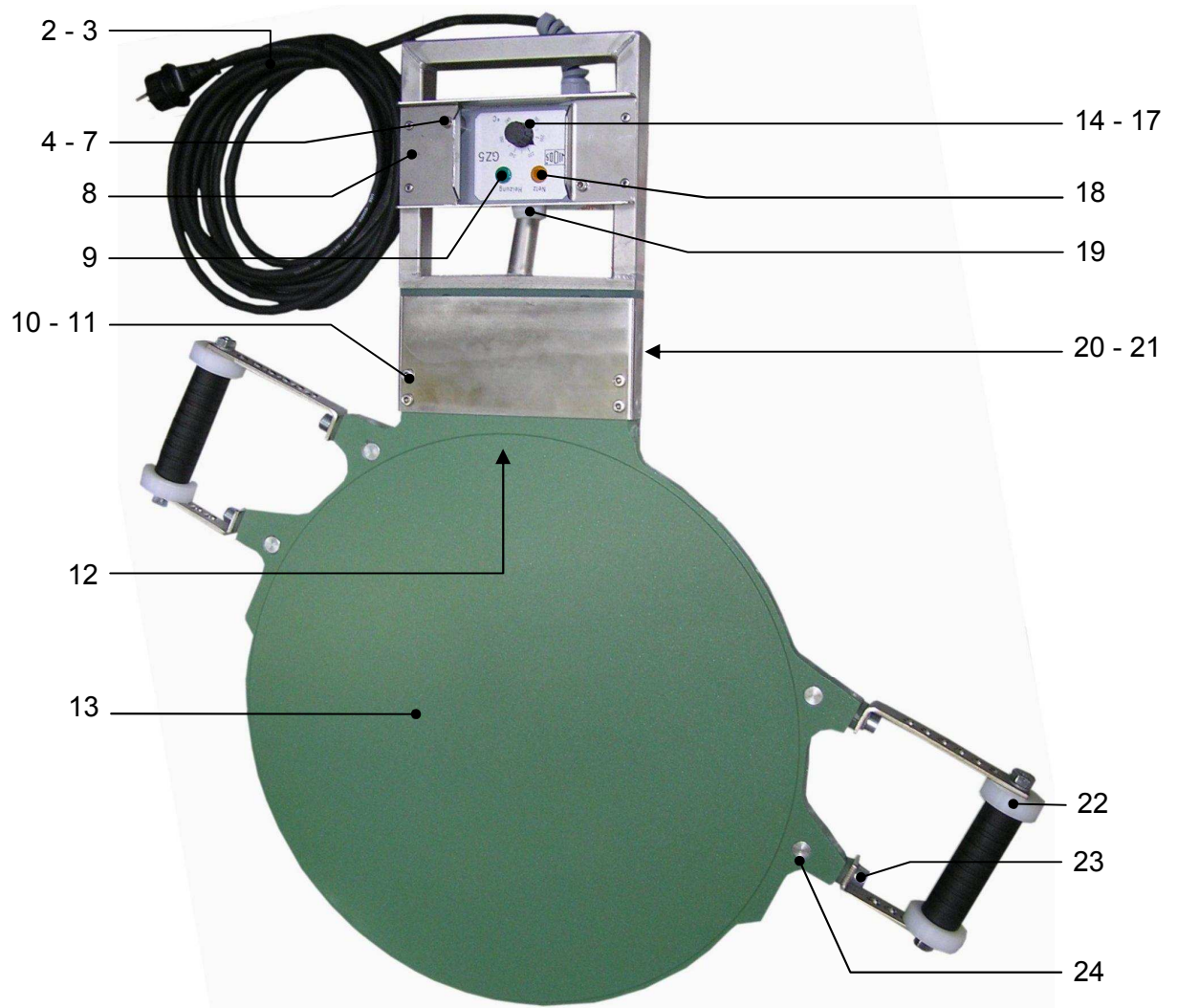
Hydraulic Aggregate WIDOS 5100			
Pos.	Name	Piece	Order no.
46	Bearing block	1	on request
47	Pan-head screw M5x45 DIN 912	2	0912E045
48	Control knob for pressure setting	1	101022
49	Bush	1	101047
50	Set screw	1	101050
51	Plate "Pressure values"	1	SCHM4600
52	Oil dip rod	1	101021
53	Hydraulic oil	1 l	HLPD35
54	Filling nozzle	1	101026
55	Coper ring 14x18x1,5 DIN 7603	1	D14x18
56	Cable bushing Kt21	2	EKT21
57	Leading-in for tubes	2	EKT22
58	Sinter-filter 15x8 41180	2	101045
59	O-ring 16x2	2	D16x2
60	Protective mounting	1	101042
61	Pan-head screw M6x16 DIN 912	4	0912F016

10.3. Planer



Planer WIDOS 5100

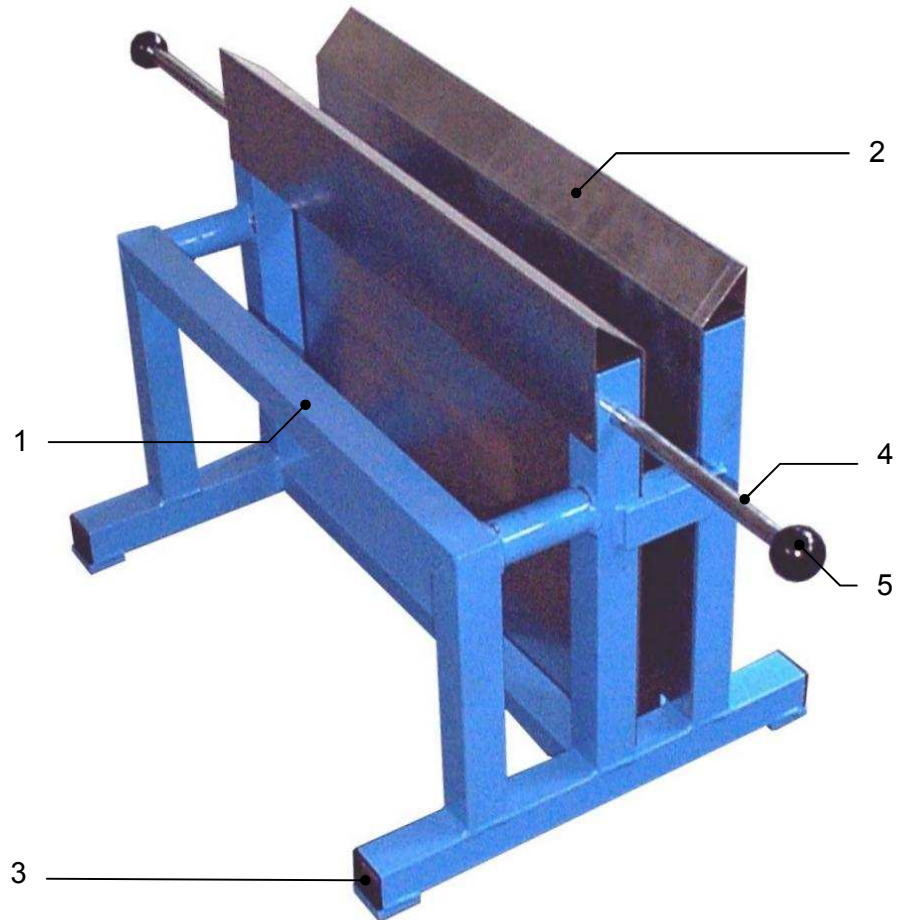
Pos.	Name	Piece	Art.no.
1	Holder for Planer	1	071411
2	Planer disc, right	1	071412
3	Planer disc, left	1	071413
4	Cover	1	071404
5	Cylinder head screw M 4x16 DIN 912	2	0912D016
6	Ball bearing 6024	1	L6024
7	Chain wheel, big 3/8" 95Z	1	023406
8	Flat head screw M 8x20 DIN 7991	4	7991H020
9	Knife	2	MES170
10	Flat head screw M 3x8 DIN 965	12	0965C008
11	Spacer	2	MU170
12	Ball bearing 6003Z	2	L6003Z
13	Bolt	1	210410
14	Washer M 16 DIN 125	5	0125P
15	Hexagon nut M16x1,5 DIN 934	1	0934Y
16	Chain 3/8" 137 pieces	1	K38137
17	Chain joint 3/8"	1	KSCH38
18	Chain wheel, small 11 Z	1	K38011
19	Motor 1400 W, 230 V	1	AMBF23
	Switch for Motor	1	ESMBF16
	Collector carbon	1 set	EKMBF23
20	Connection cable	1	EK3220
21	Cylinder head screw M 10x40 DIN 912	4	0912J040
22	Handlebar	2	071409
23	Ball button	2	0319C40
24	Cylinder head screw M 10x40 DIN 912	2	0912J040

10.4. Heating element

Heating Element WIDOS 5100

Pos.	Name	Piece	Art.no.
1	Frame for terminal box	1	071534
2	Connecting cable	1	EK3220
3	Bolting HKL	2	EVH1313
4	Pan-head screw M 5x25 DIN 912	2	0912E025
5	PTFE-distance washer	2	211508
6	Washer M5 DIN 125	2	0125E
7	Spring washer M5DIN 127	2	0127E
8	Panel	1	071537
9	Control lamp green	1	H2105
10	Plug bolt M6	4	on request
11	Flat head screw M 6x12 DIN 7991	8	7991F012
12	Temperature probe PT 1000	1	H09082
13	Heating plate	1	HP5100E
	Heating plate for change	1	HPT5100E
14	Terminal box	1	on request
15	Cover for terminal box	1	on request
16	Control GZ4 with extend axis	1	H0928230
17	Knob for temperature	1	H2109
18	Control lamp yellow	1	H2106
19	PTFE - insulating disk	1	211505
20	Cover plate	1	071536
21	Oval-head screw M3x6 DIN 7985	9	7985C006
22	Handle, kpl.	2	H07021
23	Pan-head screw M 10x40 DIN 912	4	0912J040
24	Handle bolt	4	HGEW-M10

10.5. Reception box



Reception box Widos 5100

Pos.	Name	Piece	Order no.
1	Mounting	1	071512
2	Heat absorbing steel sheet	2	0715121
	Blind rivet 4x10 DIN 7337	8	7337D010
3	Fitting cap	4	on request
4	Handlebar	2	071409
5	Sherical button	2	0319C40