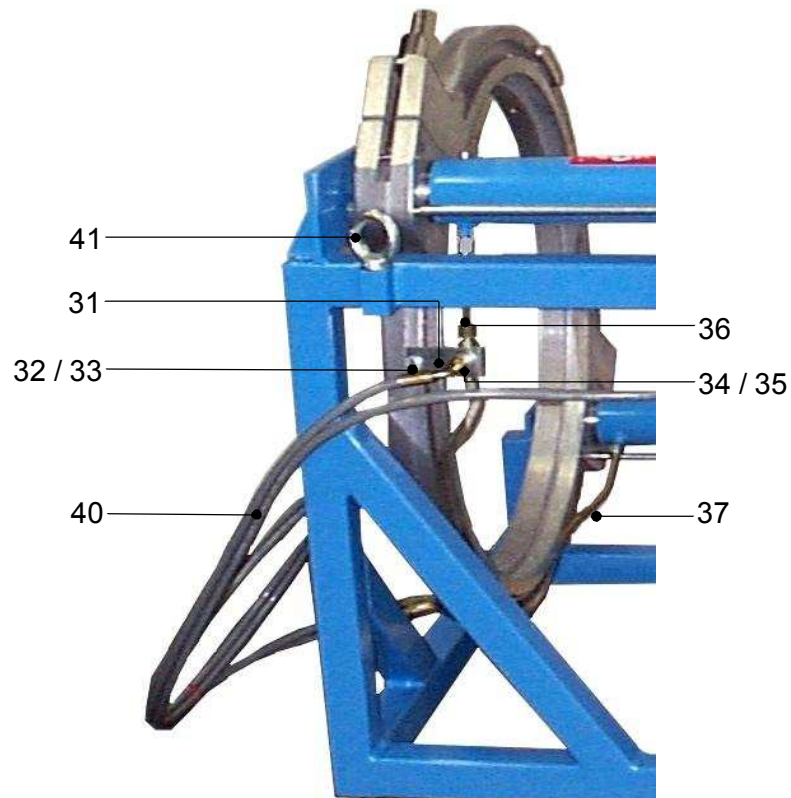
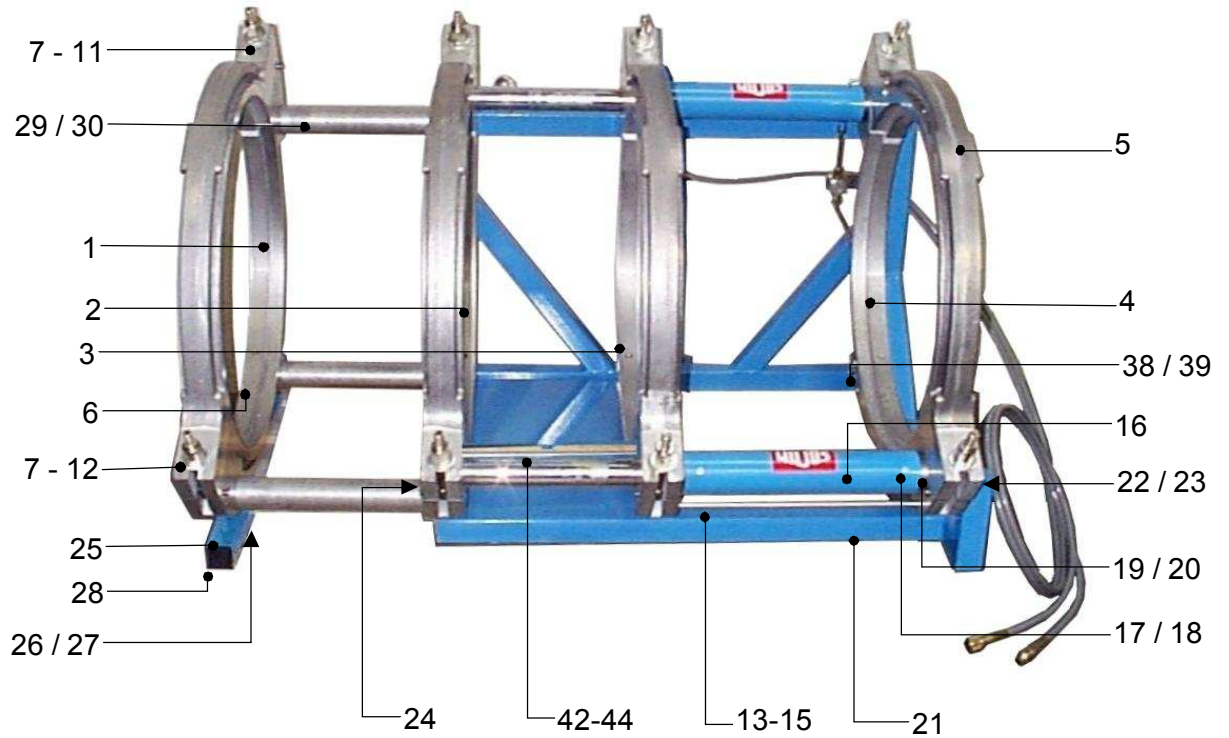


10. Spare parts list

10.1. Basic machine



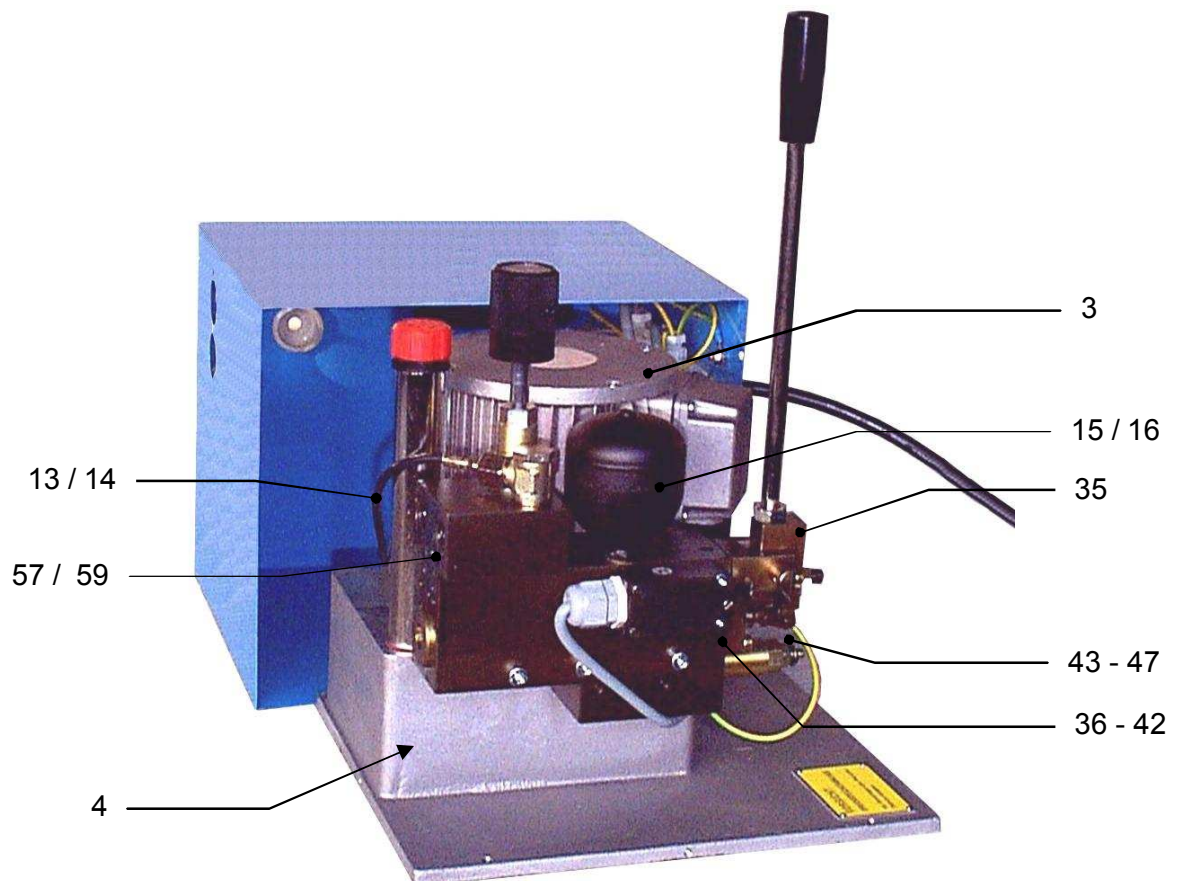
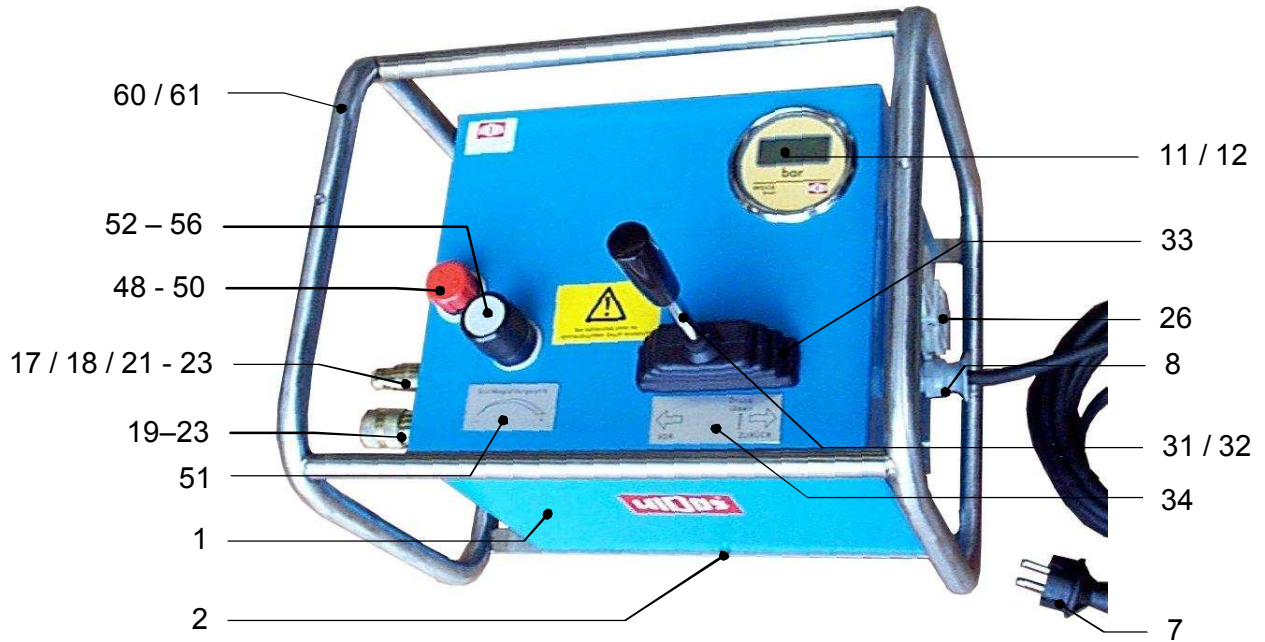
Basic Machine WIDOS 6100

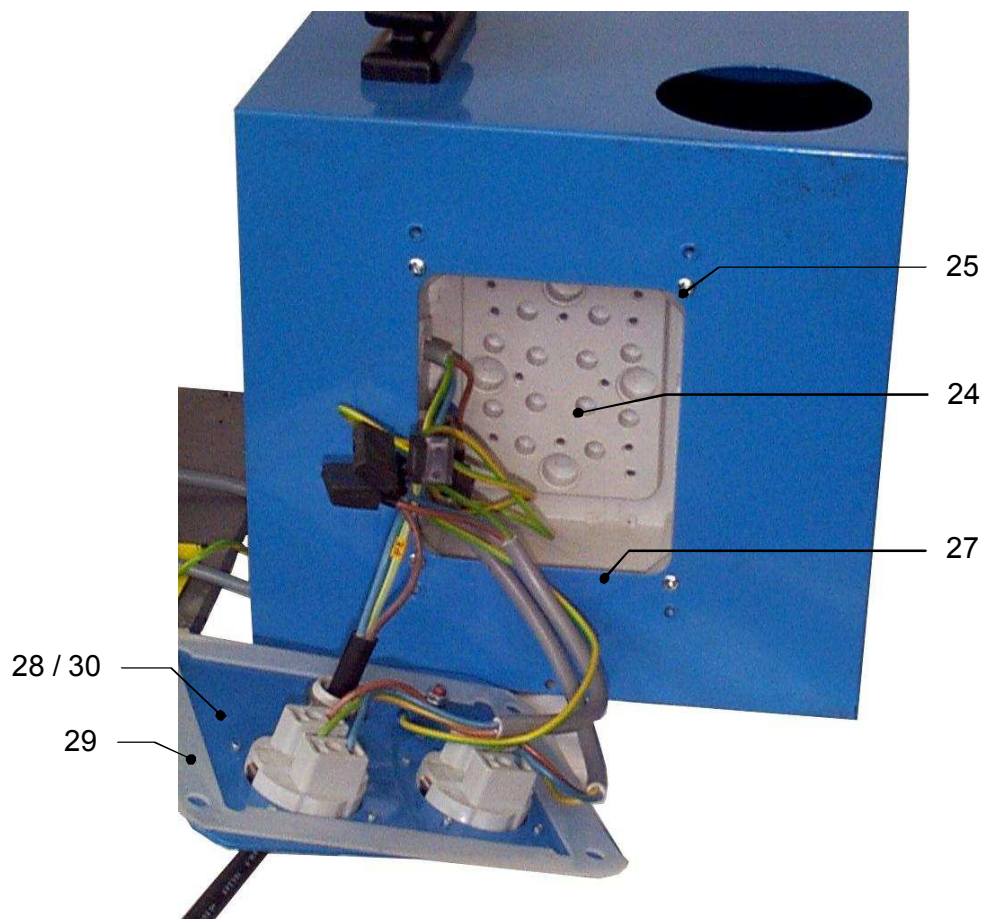
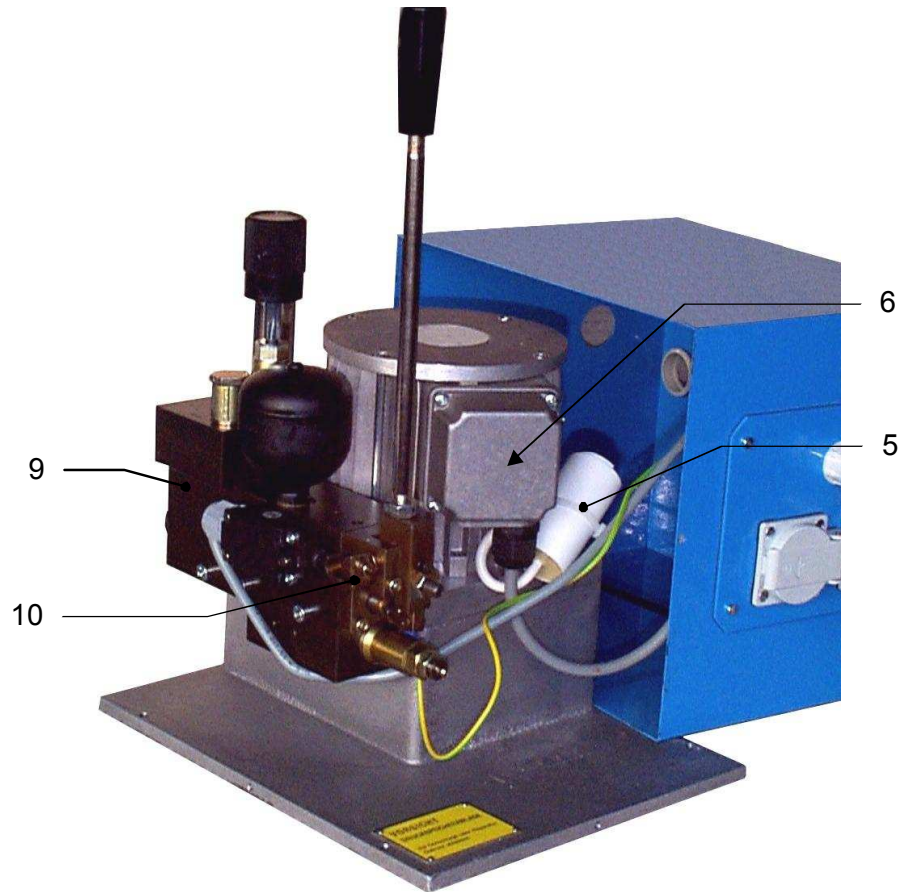
Pos.	Name	Piece	Order no.
1	Outer clamp, fixed	1	082101
2	Inner clamp, fixed	1	082102
3	Inner clamp, movable	1	082103
4	Outer clamp, movable	1	082104
5	Upper clamp	4	082105
6	Thread insert M 10	8	GEW-M10
7	Thread spindle	8	081108
8	Nut	8	071109
9	Pressure disc M 16 DIN 6340	8	6340P
10	Rivet	8	081111
11	Lock washer size 9 DIN 6799	8	6799I
12	Headless pin M 10x12 DIN 916	4	0916J012
13	Tension rod	2	081107
14	Hexagon nut M 12 DIN 934	2	0934L
15	Washer M 12 DIN 125	2	0125L
16	Hydraulic cylinder	2	081106
--	Hydraulic cylinder in exchange	2	081106T
--	Seals for cylinder	2	D081106B
17	Flat-head screw M 6x10 DIN 7991	4	7991F010
18	Ring for sealing 6x9,3x1	4	D6x9,3
19	Pressure disc	2	071133
20	Stop bolt	2	091117
21	Basic frame	1	081118
22	Hexagon screw M 10x30 DIN 933	2	0933J030
23	Washer M 10 DIN 125	2	0125J
24	Flat-head screw M 16x30 DIN 7991	2	7991P030
25	Support	1	081141
26	Pan-head screw M 10x40 DIN 912	3	0912J040
27	Washer M 10 DIN 125	3	0125J
28	Protective cap (50x50x4 mm)	2	J0208
29	Shaft	3	081131
30	Flat-head screw M 20x40 DIN 7991	6	7991T040
31	Holding device for filter	2	093119
32	Washer M 8 DIN 125	4	0125H
33	Hexagon screw M 8x20 DIN 933	2	0933H020
34	Screwed connection GE 8L R3/8"	2	VXGE8L38
35	Filter	2	V092114
36	Hydraulic hose (770 mm)	2	081112
37	Hydraulic hose (300 mm)	2	081113
38	Hinge plate	2	091137
39	Flat-head screw M6x16 DIN 7991	4	7991F016

Basic Machine WIDOS 6100

Pos.	Name	Piece	Order no.
40	Hose bunch	1	VSCHL6100
--	Coupling plug, flat packing	1	VST14
--	Coupling box, flat packing	1	VMU14
41	Lifting screw C-15 M16 D	2	0580P
42	Tear-off bar	1	81516
43	Hexagon screw M 12x15 DIN 933	2	0933L015
44	Washer M 12 DIN 9021	2	9021L
--	Reduction insert OD 315-560	1	0808...*
--	Pan-head screw M 10x40 DIN 7984 (OD 355-500)	8	7984J40X
--	Pan-head screw M 10x35 DIN 7984 (OD 315 / 560)	8	7984J35X
--	Plate "pressure values"	1	SCHM6100
--	Name plate	1	SCHT6100
--	Hydraulic oil	1 l	HLPD35
--	Socket spanner size 27	1	ZRS27
	*) When ordering, please state the dimension of the pipe !		

10.2. Hydraulic aggregate





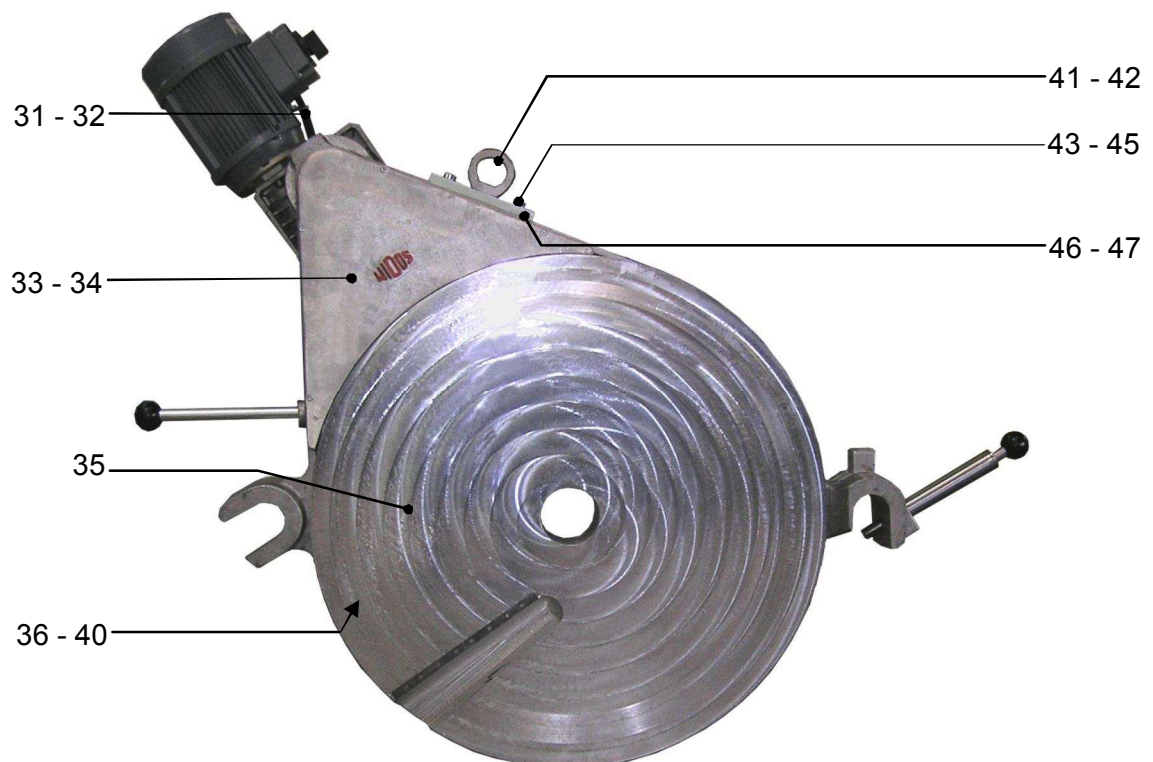
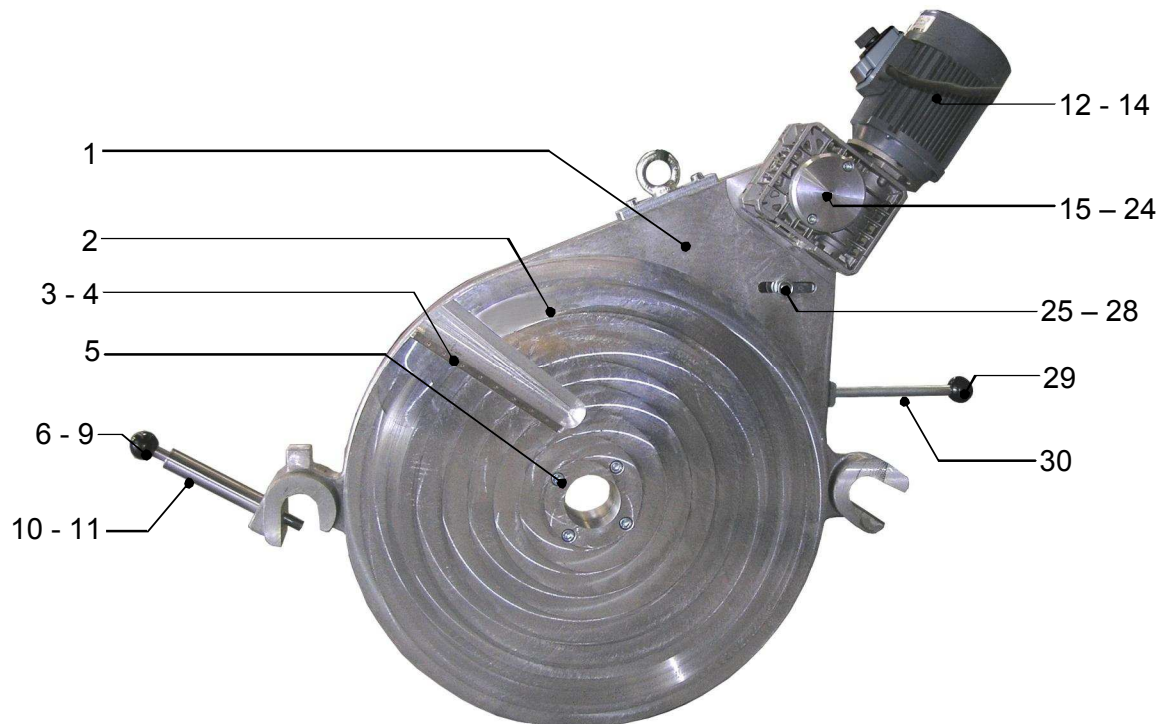
Hydraulic Aggregate WIDOS 6100

Pos.	Name	Piece	Order no.
1	Cover	1	1010021
2	Pan-head screw M4x12 DIN 912	4	0912D012
3	Motor	1	on request
4	Pump 1.9 l	1	102103
5	Capacitor 12 µF	1	EK12220
6	Universal RC - link	1	EE0104
7	Connection cable with plug	1	EK32220
8	Screwed connection PG 13.5	1	EV0113
9	Valve	1	on request
10	Pan-head screw M6x45 DIN 912	4	0912F045
11	Pressure gauge	1	101004D
12	Screwed connection of pressure gauge	1	V042314
13	Mini hose	1	on request
14	Hose screwing	1	101008
15	Accumulator	1	101006
16	Ring for sealing 16x22.7x1.5	1	D16x22,7
17	Coupling box, flat packing	1	VMU14
18	Synthetic cap for VMU14	1	VKM14
19	Coupling plug, flat packing	1	VST14
20	Synthetic cap for VMST14	1	VKS14
21	Ring for sealing 16x22.7x1.5	2	D16x22,7
22	Screwed connection	2	V101024
23	O-ring 19x1,5	2	D19x1,5
24	Distributor box	1	on request
25	Pan-head screw M4x10 DIN 912	2	0912D010
26	Socket	2	EST0701
27	Seal, inside	1	1010024
28	Side part	1	1010022
29	Seal, outside	1	1010023
30	Pan-head tapping screw 3.5 x 20	4	7971C020
31	Valve lever	1	101013
32	Cylinder knob M10	1	101033
33	Bellows	1	101035
34	Plate "Release pressure"	1	SCHD-L
35	Hexagon nut M10 DIN 934	1	0934J
36	Pressure switch	1	on request
37	Pan-head screw M4x25 DIN 84	2	0084D025
38	Angle for pressure switch	1	on request
39	Washer M4 DIN 125	1	0125D
40	Pan-head screw M 4x10 DIN 912	1	0912D010
41	Set screw M5x10 DIN 915	1	0915E010

Hydraulic Aggregate WIDOS 6100

Pos.	Name	Piece	Order no.
42	Bolt	1	101038
43	Adjusting screw	1	101036
44	Hexagon nut M6 DIN 934	3	0934F
45	Plug-in element P83-1/2"x3/16"	1	101043
46	Bearing block	1	on request
47	Pan-head screw M5x45 DIN 912	2	0912E045
48	Control knob for pressure setting	1	101022
49	Bush	1	101047
50	Set screw	1	101050
51	Plate "Pressure values"	1	SCHM4600
52	Oil dipstick	1	101021
53	Hydraulic oil	1 l	HLPD35
54	Filler neck	1	101026
55	Copper ring 14x18x1.5 DIN 7603	1	D14x18
56	Cable bushing Kt21	2	EKT21
57	Leading-in for tubes size 22	2	EKT22
58	Sinter-filter 15x8 41180	2	101045
59	O-ring 16x2	2	D16x2
60	Protective mounting	1	101042
61	Pan-head screw M6x16 DIN 912	4	0912F016

10.3. Planer



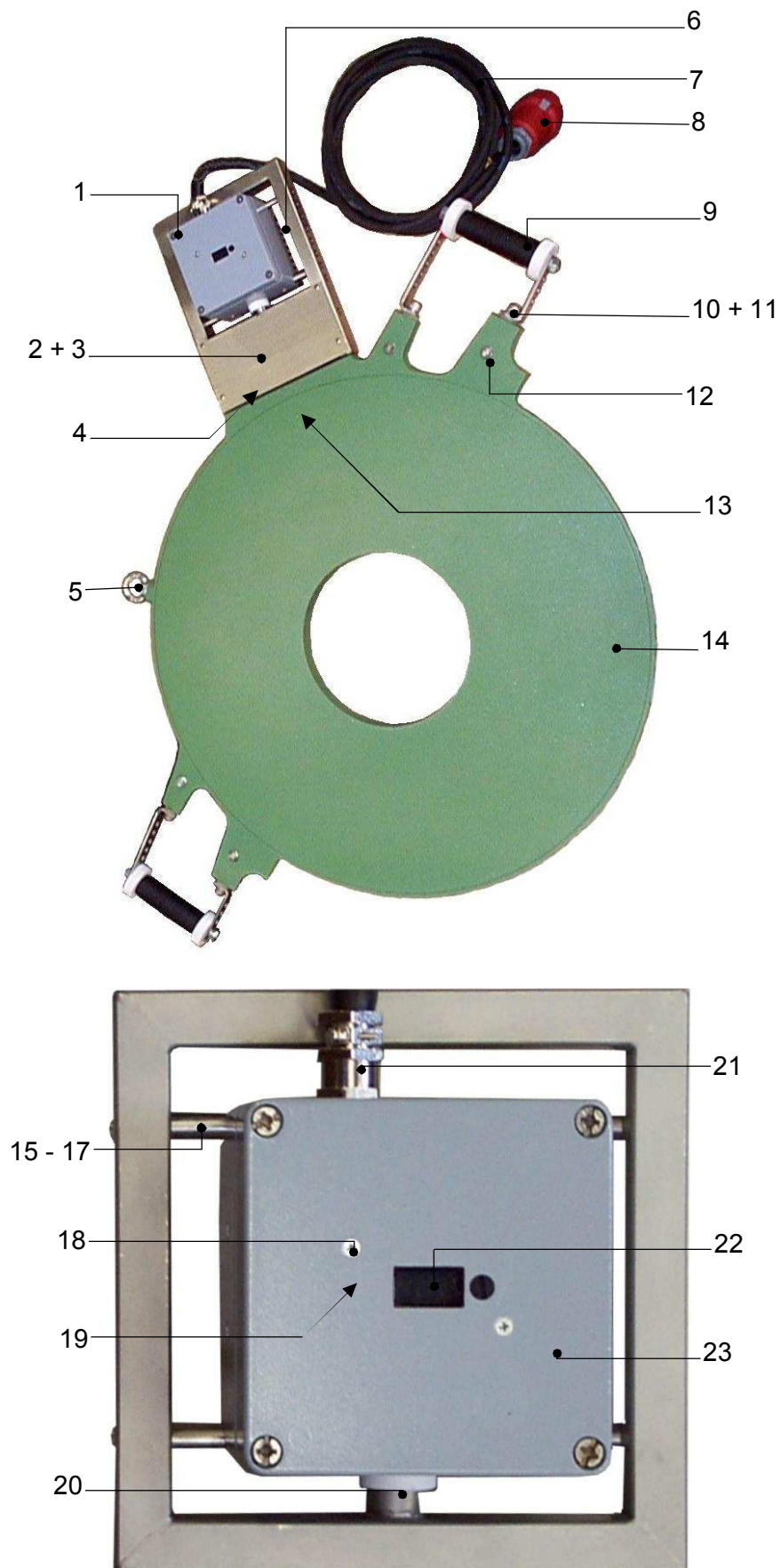
Planer WIDOS 6100

Pos.	Name	Piece	Order no.
1	Fastener for planer	1	0824011
2	Planer disc, right-hand	1	082402
3	Knife	4	MES120
4	Flat-head screw M 3x8 DIN 965	16	0965C008X
5	Pan-head screw M 12x50 DIN 912	4	0912L050
6	Ball button C 40 DIN 319	1	0319C40
7	Locking bolt	1	082422
8	Compression spring R 1342	1	FE042
9	Lock washer Ø 10 DIN 6799	1	6799J
10	Bushing	1	082421
11	Valve nut	1	082423
12	Rotary current gearing motor 1.1 kW	1	ADG11400
13	Switch cupboard	1	ADG1104
14	Switch for geared motor	1	ADG1103
15	Pan-head screw M 8x25 DIN 912	4	0912H025
16	Pan-head screw M 8x20 DIN 912	2	0912H020
17	Washer for gear shaft	1	081414
18	Cover for geared motor	1	0814051
19	Driveshaft KU63	1	824111
20	Dowel spring 8 x 7 x 90 DIN 6885	1	6885H090
21	Dowel spring 8 x 7 x 18 DIN 6885	1	6885H018
22	Disc (front) for geared motor	1	081409
23	Flat-head screw M 8x20 DIN 7991	1	7991H020
24	Chain wheel, small	1	081412
25	Ball bearing 6003ZZ	2	L6003Z
26	Bolt	1	081410
27	Washer M 16 DIN 125	9	0125P
28	Hexagon nut M 16x1.5 DIN 934	1	0934Y
29	Ball button C 40 DIN 319	1	0319C40
30	Handle bar	1	071409
31	Cable H07 RN-F 5x1.5 ² ; 6 m	1	EL02515
32	Phase-inverter plug CEE 16 A, 400 V	1	EST0416
33	Cover	1	081404
34	Pan-head screw M 4x12 DIN 912	4	0912D012
35	Planer disc, left-hand	1	082403
36	Ball bearing	1	L6030
37	Chain wheel, large (1/2", 120 teeth)	1	081413
38	Chain 1/2" x 5/16", 158 rolls	1	K1216
39	Chain joint 1/2"	1	KSCH12
40	Flat-head screw M 10x20 DIN 7991	4	7991J020
41	Lifting eye nut M 16 DIN 582	1	0582P

Planer WIDOS 6100

Pos.	Name	Piece	Order no.
42	Flat-head screw M 16 x 30 DIN 7991	1	7991P030
43	Hexagon nut M 10 DIN 985	2	0985J
44	Washer M 10 DIN 125	2	0125J
45	Pan-head screw M 10x45 DIN 7984	2	7984J045
46	Suspension plate for planer	1	081406
47	Counter plate	1	081407
--	Torx-screw driver	1	TX10

10.4. Heating element



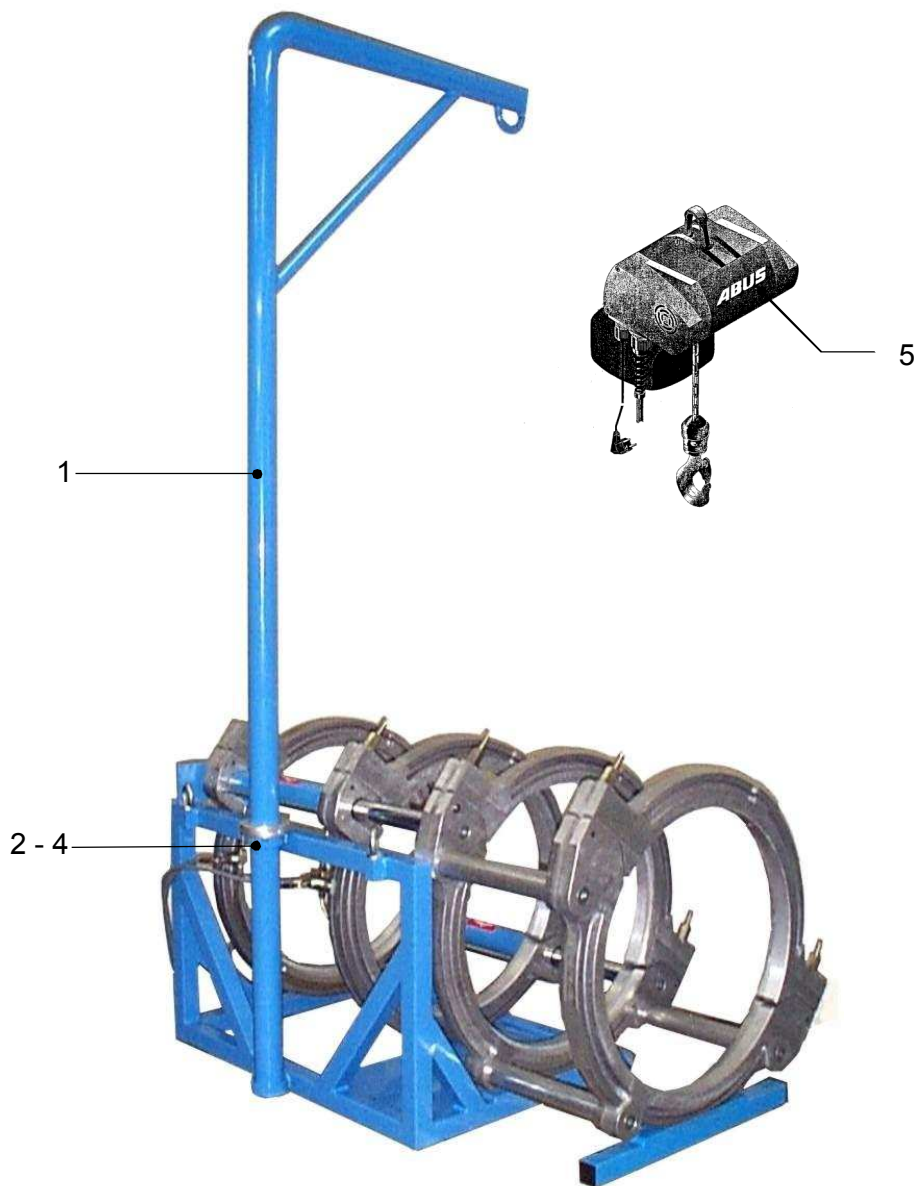
Heating Element WIDOS 6100

Pos.	Name	Piece	Order no.
1	Terminal box	1	071554
2	Cover for terminal box	1	071555
3	Oval-head screw M 3x6 DIN 7985	4	7985C006
4	Insulating piece	1	071556
5	Lifting screw M 12 DIN 580	1	0580L
6	Heat sink	1	on request
7	Cable	1	EL02515
8	Plug	1	EST0116
9	Grip	2	07021
10	Pan-head screw M 10x60 DIN 912	4	0912J060
11	Spring washer B 10 DIN 127	4	0127J
12	Tapped bushing	4	1475045
13	Temperature probe PT 1000	1	H09082
14	Heating element (400 V)	1	H6100E
	Heating plate new	1	HP6100E
	Heating plate in exchange	1	HPT6100E
15	Distance piece	4	081554
16	Tapped bushing	4	081553
17	Pan-head screw M 6x45 DIN 912	4	0912F045
18	Flat-head screw M 3x8 DIN 7991	2	7991C008
19	Controller G4 with triac	1	H0908230D1
20	PTFE - joining piece	1	211505
21	Screwing	1	EV0021
22	Window, tinted	1	H09071
23	Upper and lower part of housing	1	081551

10.5. Protection box

Proection Box WIDOS 6100

Pos.	Name	Piece	Order no.
1	Reception box	1	EIN6100
2	Sheet steel	2	0815201
3	Lifting screw M 16 DIN 580	2	0580P
4	Fitting cap 60x60	4	on request

10.6. Lift-off device

Lift-off Device (optional) WIDOS 6100

Pos.	Name	Piece	Order no.
1	Crane mast	1	on request
2	Limit stop for crane mast	1	081122
3	Grub screw M8x20 DIN 913	2	0913H020
4	Straight pin Ø 6x60 DIN 6325	2	6325F060
5	Jib crane GMC 100.12	1	on request