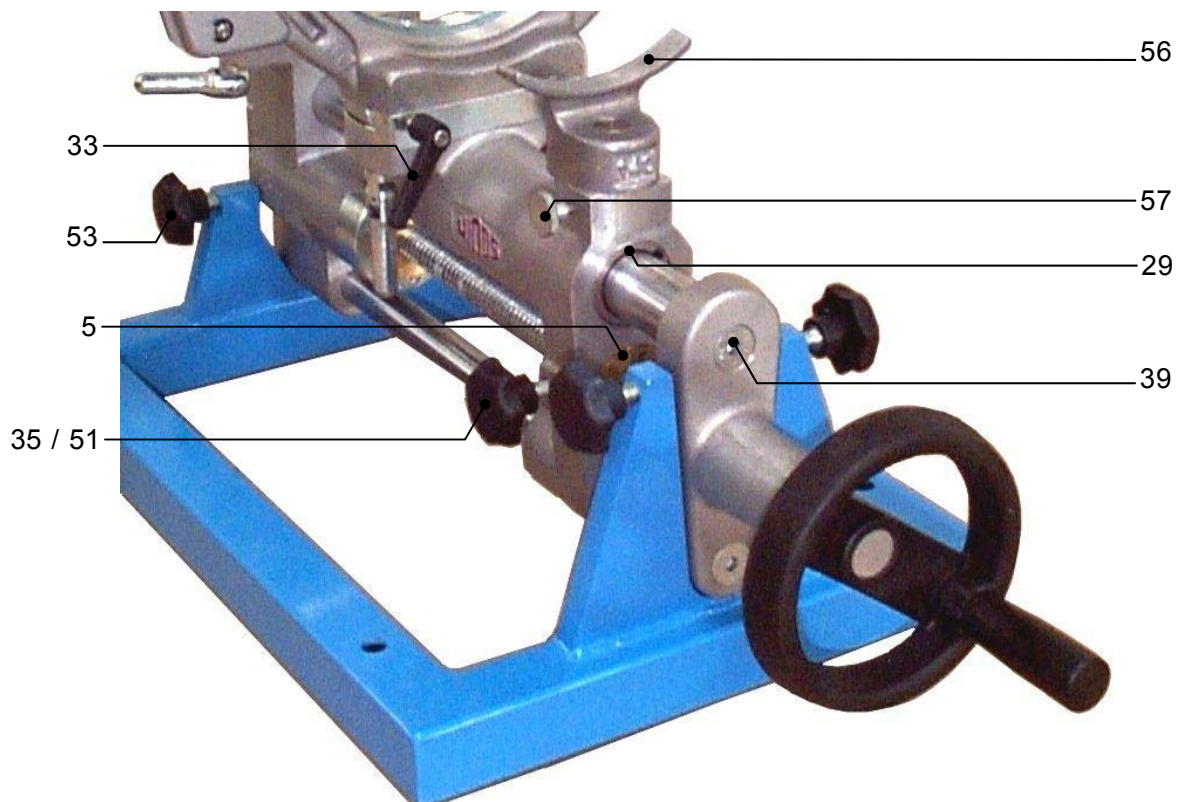
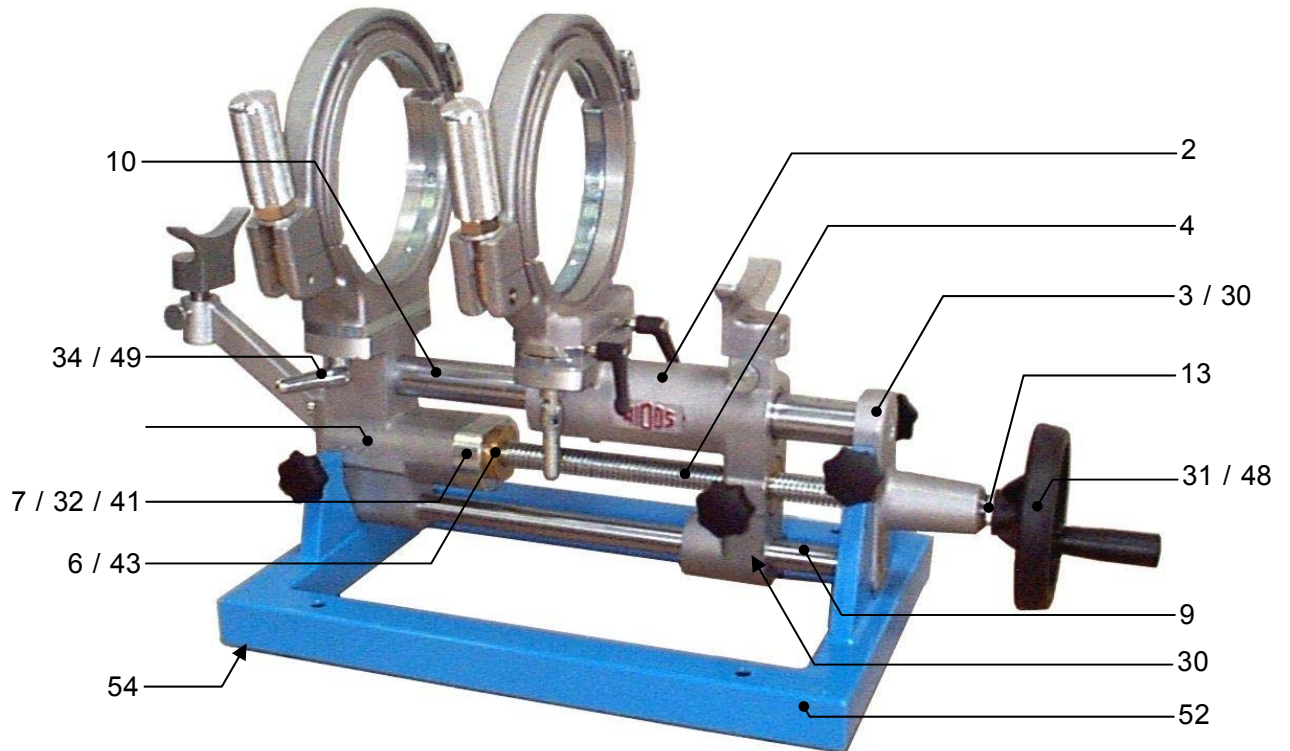
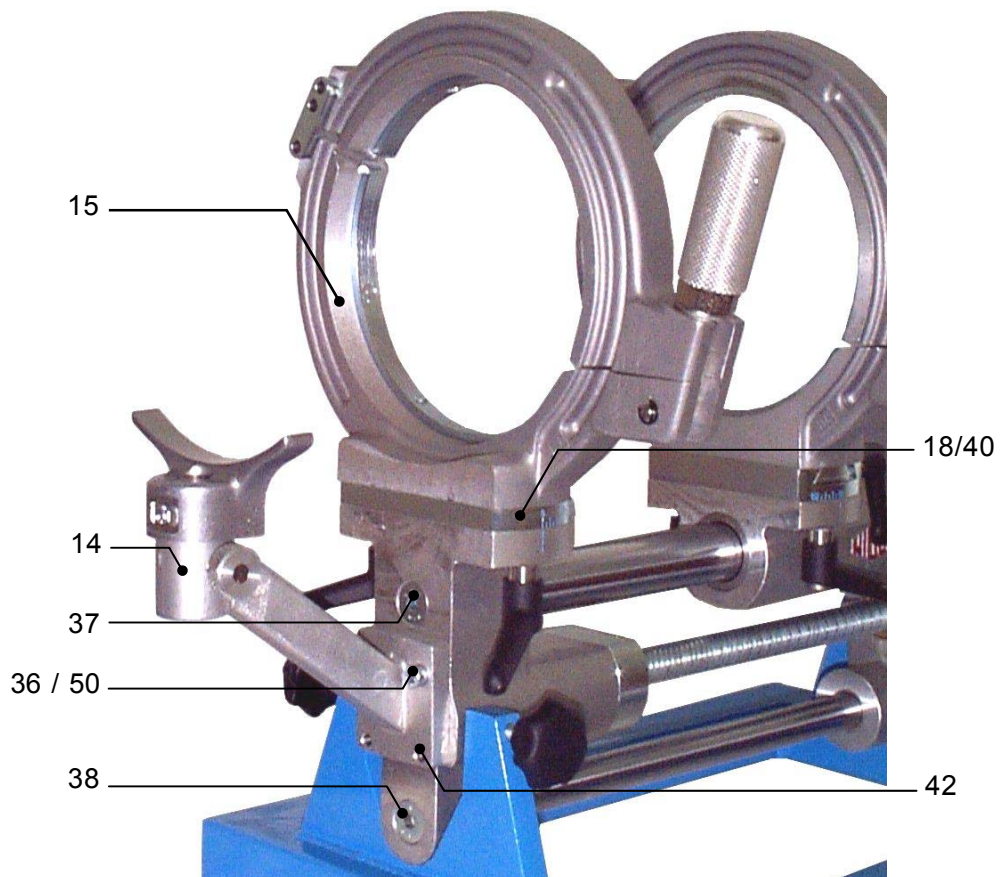
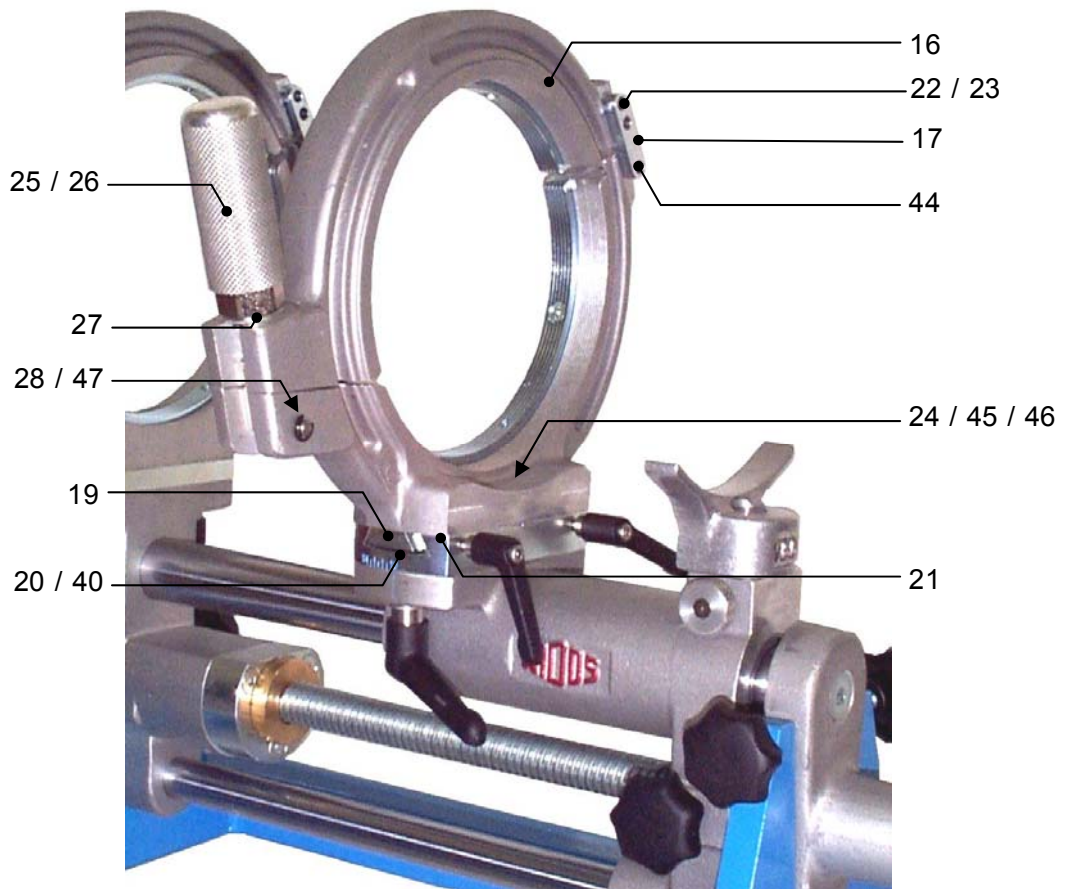


## 10. Spare parts list

### 10.1. Basic machine





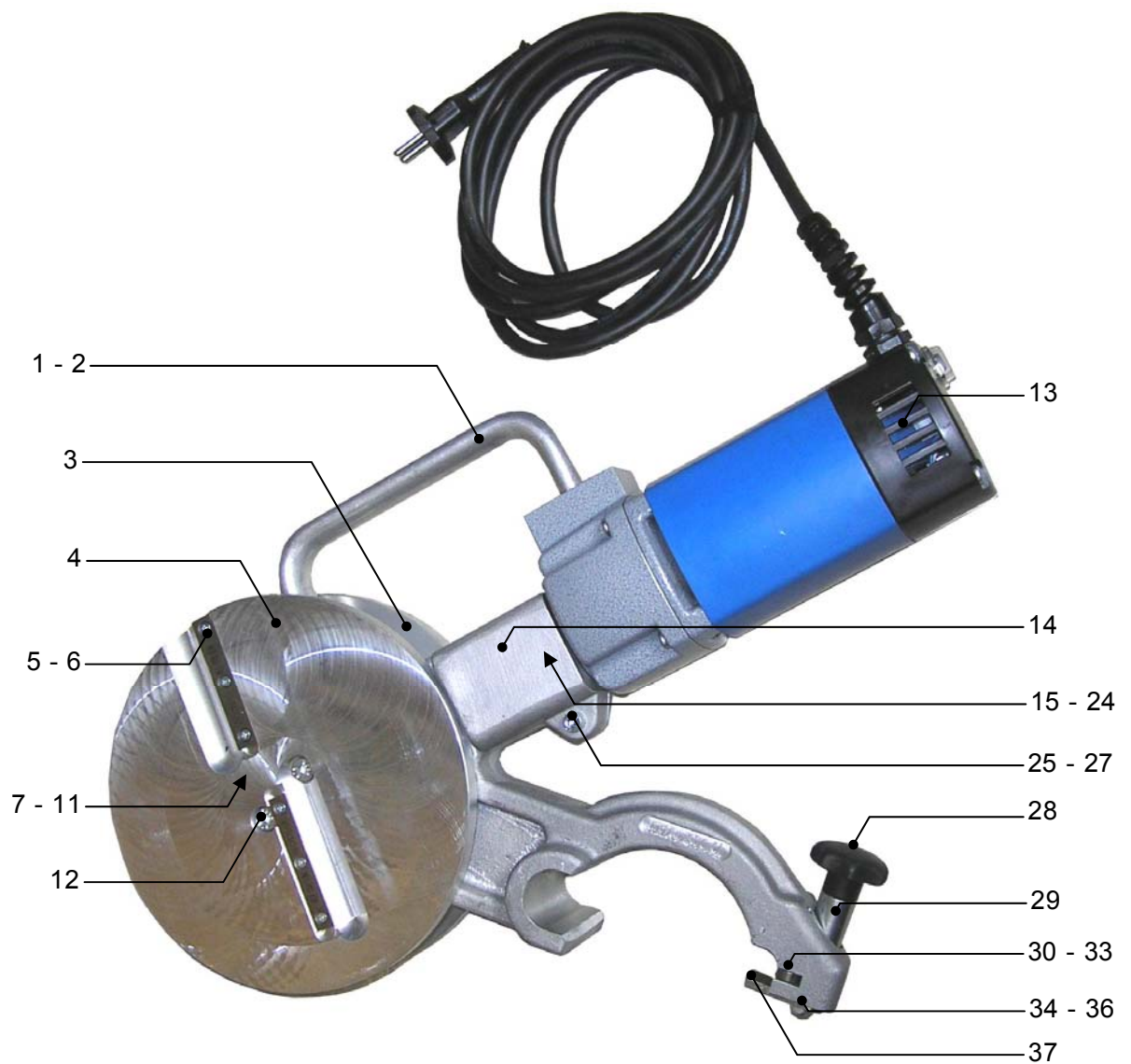
## Basic machine WIDOS MAXIPLAST

Pos.	Denomination	Piece	Order no.
1	Spring block	1	454001
2	Guidance	1	454002
3	Counter bracket	1	454003
4	Spindle	1	454004
5	Spindle nut	1	454005
6	Adjusting nut	1	454006
7	Bearing plate	1	454007
8	Spring washer	1	454008
9	Drag rod, down	1	454011
10	Drag rod, up	1	454012
11	Flath-head screw M 6 x 16 DIN 7991	1	7991F016
12	Pressure spring	1	010217
13	Scale	3	454115
14	Pipe support	1	454114
15	Pipe clamp, complete / left hand	1	454702KP
16	Pipe clamp, complete / right hand	1	454701KP
17	Coupling	4	454713
18	Basic plate for pipe clamp, l/h	1	454705
19	Upper part of the axial alignment	1	454706
20	Lower part of the axial alignment	1	454707
21	Clamp strip	1	454709
22	Rivet	4	4547131
23	Permaglid bushing	4	on request
24	Center bolt	2	454708
25	Knurled screw	2	161109
26	Threaded rod	2	160108
27	Washer M12 DIN 125	2	0125L
28	Rivet	2	160111
29	Ball bushing	2	LKH3050
30	Permaglid bushing	4	PAP2020
31	Hand wheel, tilting	1	on request
32	Thrust ball bearing	1	L51104
33	Clamping lever GN300.1-45-M5-16-SZ	2	4547071
34	Joint lever	4	454714
35	Star grip GN 5337.2-40-M8-20	1	on request
36	Cylinder-head screw M6x16 DIN 912	2	0912F016
37	Flat-head screw M10 x 35 DIN 7991	1	7991J035
38	Flat-head screw M 10 x 50 DIN 7991	1	7991J050
39	Flat-head screw M10x20 Din 7991	2	7991J020
40	Flat-head screw M8x16 DIN7991	2	799H016
41	Flat-head screw M 6 x 30 DIN 7991	3	7991F030
42	Parallel pin 6m6x16 DIN 6325	2	6325F016
43	Headless pin M5x16 DIN 916	2	0916E006

**Basic machine WIDOS MAXIPLAST**

Pos.	Denomination	Piece	Order no.
44	Parallel pin 6m6x32 DIN 6325	2	6325F032
45	Parallel pin 6m6x16 DIN 6325	4	6325F016
46	Pan-head screw M 4 x 10 DIN 912	1	0912D010
47	Lock washer size 5 DIN 6799	2	6799E
48	Feather key 5x5x18 DIN 6885	1	6885E018
49	Washer 8,4 DIN 125	4	0125H
50	Washer 6,4 DIN 125	2	0125F
51	pressure piece	1	454009
52	Table support	1	454101
53	Stargrip Ø40-M8x30	4	on request
54	Covering cap Ø 12	4	on request
--	Reducer inserts, OD 50 - OD 140, two parts	2 set	1608...*
--	Reducer inserts large, OD 50 - OD 140, two parts	2 set	1618...*
--	Reducer inserts extra large OD 50 - OD 140, two parts	2 set	1628...*
--	Pan-head screw M5x16 DIN 912 (for OD 50 - 125)	8	0912E16X
--	Flat-head screw M5x16 DIN 7991 (for OD 140)	8	7991E16X
56	Pipe support, OD 50 - OD 160	2	0106...*
57	Knurled screw M 5 x16 DIN 464	2	0464E016
--	Type plate	1	SCHTMAXI
--	Allan key with T-grip size 3	1	ZIT03
--	Allan key with T-grip size 4	1	ZIT04
--	Allan key tilted size 5	1	ZIG05
	* When ordering, please state the dimension of the diameter!		

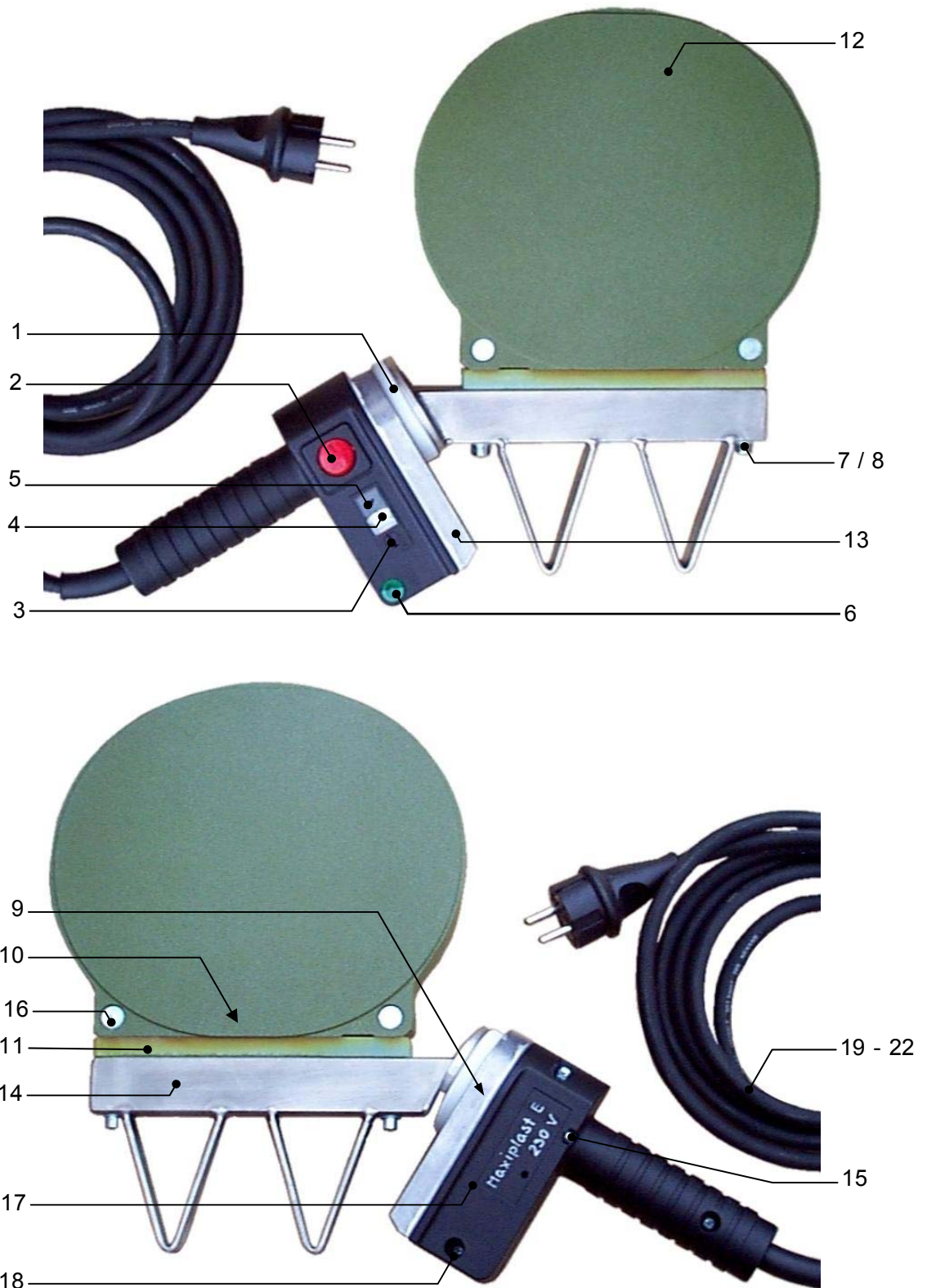
## 10.2. Planer



## Planer WIDOS MAXIPLAST

Pos.	Denomination	Piece	Order no.
1	Bow grip (GN565.1-26-164-BL)	1	on request
2	Pan-head screw M6x20 DIN 912	2	0912F020
3	Disc milling cutter, left	1	454403
4	Disc milling cutter, right	1	454402
5	Blade	4	MES072
6	Flat-head screw M 3x6 DIN 965	12	0965C006
7	Planer disc bolt	1	450436
8	Ball bearing 6010 2RS	1	L60102RS
9	Adlusting ring	1	450437
10	Bevel gear	1	454409
11	O-ring 105 x 3	1	D105x3
12	Pan-head screw M8x25 DIN 6912	2	6912H025
13	Drilling machine MBF 13	1	AMBF13
14	Holder for planer	1	454401
15	Pinion	1	454408
16	Spindle for pinion	1	454431
17	Ball bearing 16101	2	L16101
18	Spacer	1	454412
19	Spacer	1	454413
20	Spacer ring	1	450444
21	Washer M 10 DIN 433	1	0433J
22	Hexagon nut M10x1 DIN 934	1	0934J1
23	Washer	1	450441
24	Coupling	1	454410
25	Pan-head screw M6x30 DIN 912	1	0912F030
26	Washer M6 DIN 125	1	0125F
27	Hexagon nut M6 DIN 985	1	0985F
28	Stargrip M8x40 DIN 6336	1	6336H040
29	Extension for planer detent	1	454414
30	Pan-head screw M8x20 DIN 6912	2	6912H020
31	Ball bearing 624 2Z	2	L0624ZZ
32	Washer M 4 DIN 125	4	0125D
33	Grooved pins Ø 4 x 1472	2	1472D020
34	Pressure spring B0,63x1,5x7,5	1	450409
35	Ball Ø4,5	1	L0005
36	Prevailing torque hexagon nut M 6 DIN 985	1	0985F006
37	Screw washer	1	450408
--	Torx-screwdriver T10	1	ZT10

### 10.3. Heating element

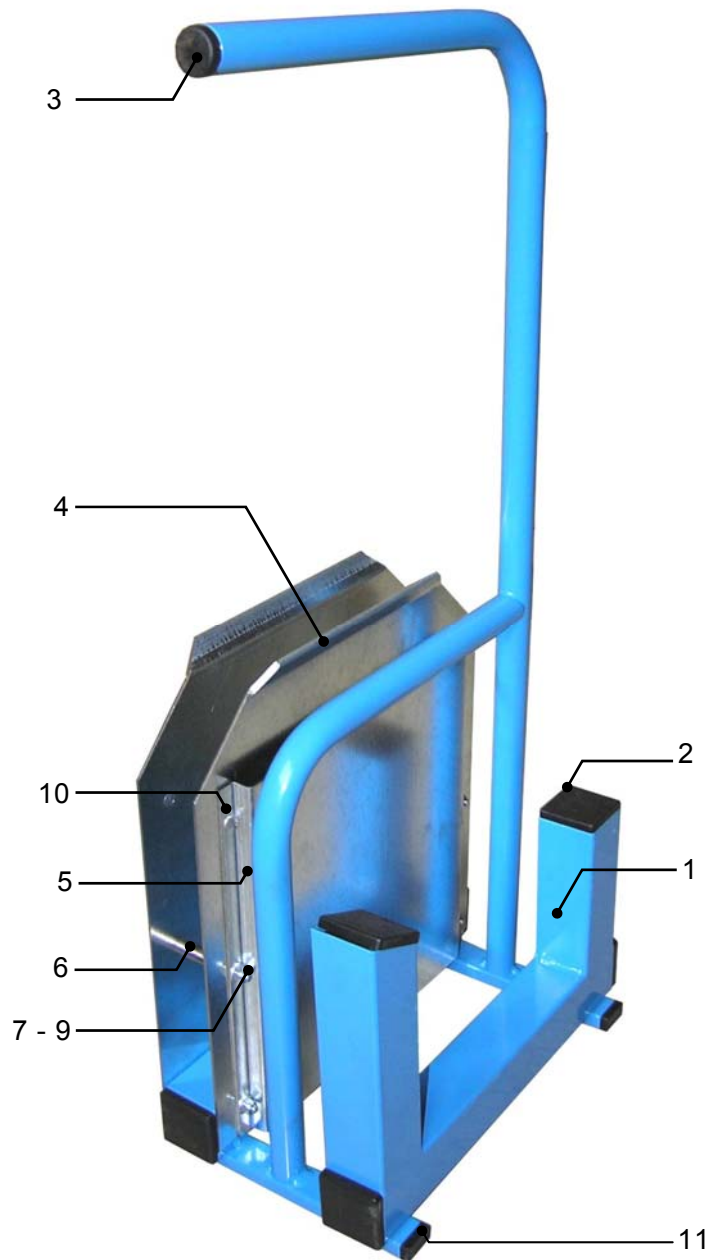


**Heating element WIDOS MAXIPLAST**

Pos.	Denomination	Piece	Order no.
1	Anti-stick coated insulating washer	1	023584
2	Switch on/off with control lamp (red)	1	H0903
3	Control knob with slot	1	H09075
4	Scale 180°-280° (d33)	1	H0908
5	Window cap for grip shell (white)	1	H09072
6	Control lamp (green)	1	H0905
7	Cylinder-head screw M 6x55 DIN 912	2	0912F055
8	Spring washer M6 DIN 127	2	0125F
9	Electronic control GZ4	1	H0918220
10	Temperature probe PT 1000	1	H09082
11	Isolator piece	1	454502
12	Heating element , complete	1	HMAXI
	Heating plate new, electric	1	HPMAXI
	Heating plate for change, electric	1	HPTMAXI
13	Heat sink with triac	1	H09081
14	Heating element holder	1	454503
15	Cylinder-head screw M 4x65 DIN 912	3	0912D065
16	Gripping form	2	012505
17	Grip shell	1	450504
18	Sheet metal screw C 4,8x16 DIN 7981	3	7981E016
19	Strain relief	1	H09076
20	Sheet metal screw C 2,9x13 DIN 7981	2	7981C013
21	Cable bushing	1	EKT08
22	Connection cable with plug	1	EK3220
230	Spring washer M4 DIN 127	3	0127D



### 10.4. Protective box



**Protective box WIDOS MAXIPLAST**

Pos.	Denomination	Piece	Order no.
1	Frame for transport case	2	454511
2	Screw cap 35 x 35 x 1,5	6	on request
3	Screw cap Ø 18 x 2	1	on request
4	Insert for planer	1	454512
5	Insert for heating element	1	454513
6	Spacer	2	454514
7	Cylinder-head screw M5x45 DIN 912	4	0912E045
8	Cap nut M5	4	1587E
9	Washer M5 DIN 125	8	0125E
10	Blind rivet S 4x8	4	7337D008
11	Screw cap 20 x 10 x 1,5	4	on request