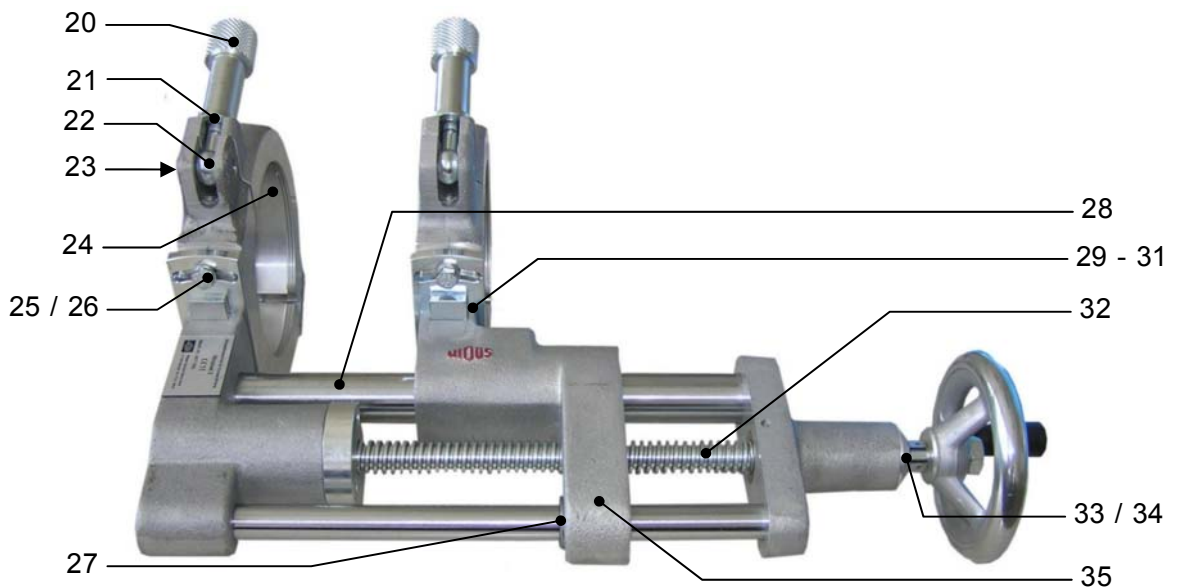
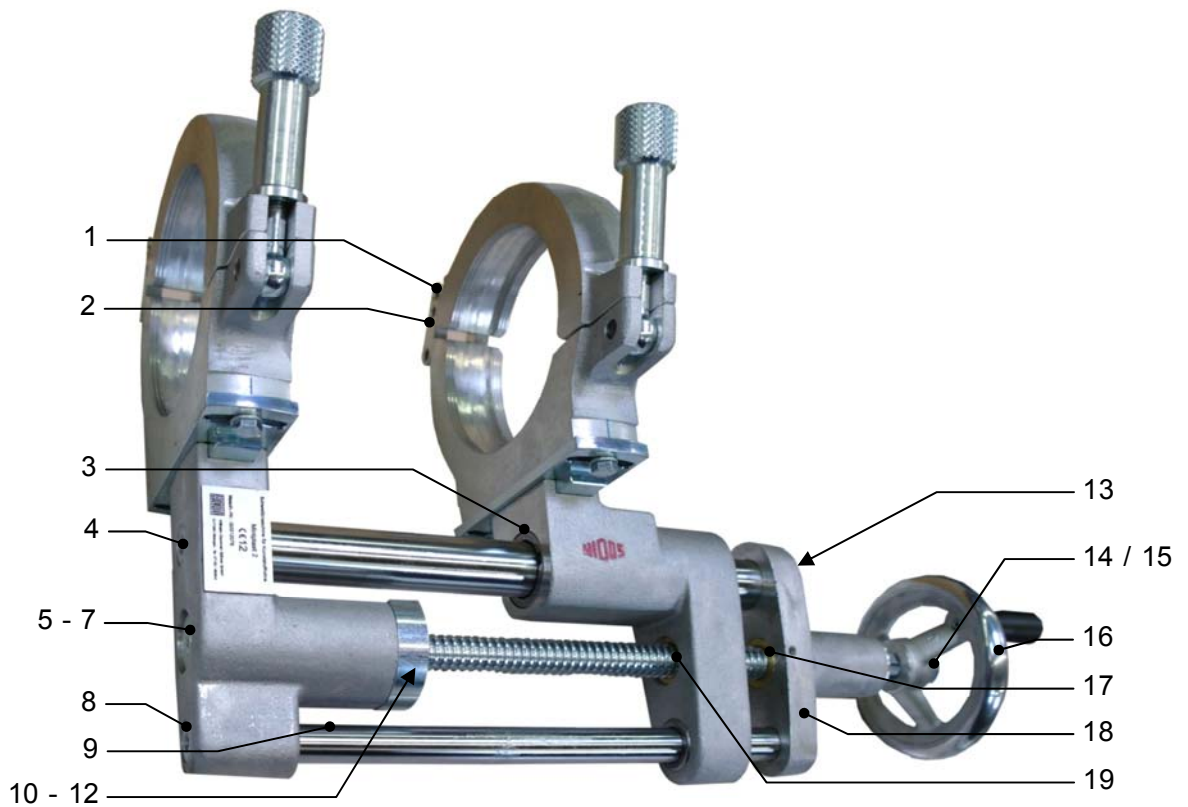


## 10. Spare parts list

### 10.1. Basic machine with clamping devices and reduction inserts



**Basic Machine with Clamping Devices and Reduction Inserts Miniplast 2**

Pos.	Name	Piece	Order no.
1	Straight pin 6 M 6x32 DIN 6325	6	0007F032
2	Coupling	4	454713
3	Ball bushing	2	LKH 2540
4	Spring block	1	450113
5	Spring washer	1	450108
6	Pressure spring	1	200113
7	Flat-head screw M 5x10 DIN 7991	1	7991E010
8	Flat-head screw M 8x35 DIN 7991	1	7991E035
9	Lower guide bar	1	450111
10	Flat-head screw M 5x25 DIN 7991	3	7991E025
11	Bearing plate	1	450107
12	Thrust ball bearing	1	L51103
13	Flat-head screw M 8x25 DIN 7991	3	7991E025
14	Hexagon nut M 10 DIN 934	1	0934J
15	Washer M 10 DIN125	1	0125J
16	Handwheel	1	BH100
17	Sleeve	1	450109
18	Counter bracket	1	450103
19	Trapezoidal nut	1	450105
20	Clamping nut	2	450705
21	Disc	2	4507052
22	Eye bolt BM 8x45 DIN 444	2	0444H045
23	Straight pin 8 M6x26 DIN 6325	2	6325H026
24	Pipe clamp, upper part	2	450701
25	Washer M 6 DIN125	4	0125F
26	Hexagon-head screw M 6x16 DIN 933	4	0933F016
27	Ball bushing	1	LKH1630
28	Upper guide bar	1	450112
29	Pan-head screw	2	450706
30	Straight pin 4 M 6x20 DIN 7	4	0007D020
31	Disk with scale	2	450707
32	Spindle	1	450104
33	Ring with pressure display	1	450110
34	Scale	3	450114
35	Guidance	1	450102
--	Reducer inserts OD 20-90	1 set	2008*
--	Pan-head screw M 4x20 DIN 912 (OD 20-75)	8	0912D020
--	Pan-head screw M 4x16 DIN 912 (OD90)	8	0912D016
--	Annular fork wrench CV DIN 3113 Ak size 10	1	ZRG10
--	Allan key, angled DIN 911 B size 3	1	ZIG03
	* When ordering necessarily give the dimensions !		

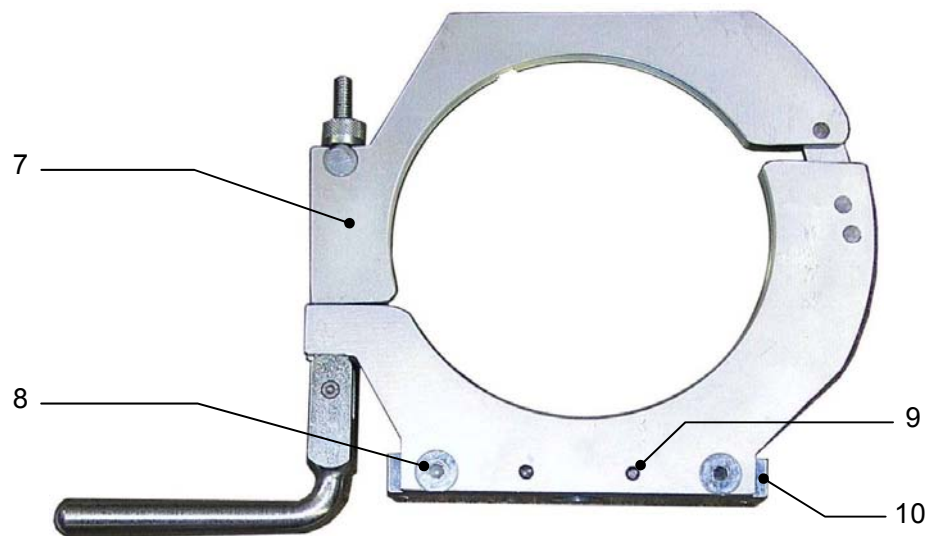
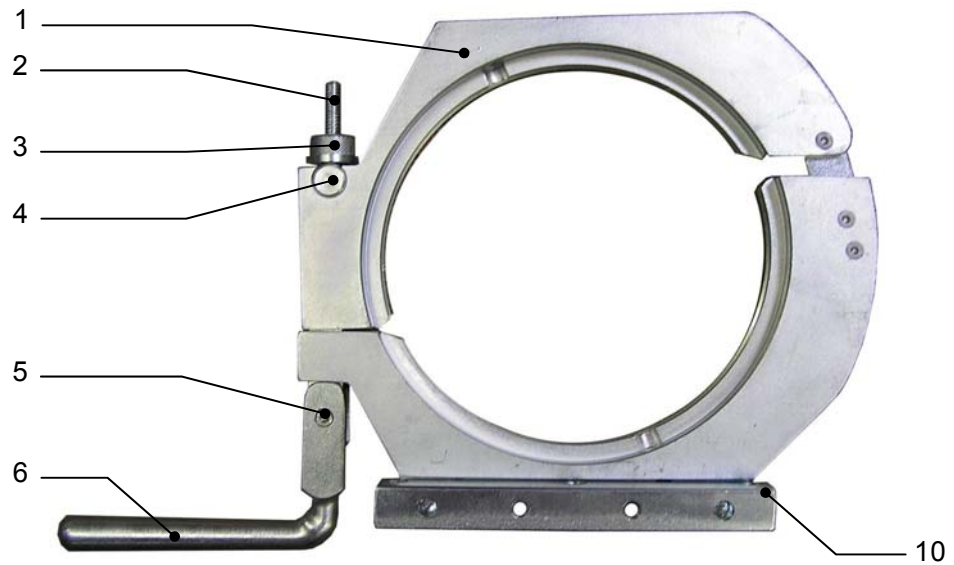
## 10.2. Table support



**Table support** WIDOS MINIPLAST 2

Pos.	Name	Piece	Order no.
1	Basic frame	1	4501010
2	Hexagon nut M 8 DIN 934	2	0934H
3	Threaded bolt	2	450116
4	Star grip DIN 6336-KT-40-M8-K	1	on request
5	Headless pin GN 632-M8-50	1	0632H050
6	Threaded insert M 8x12	1	GEW-M8

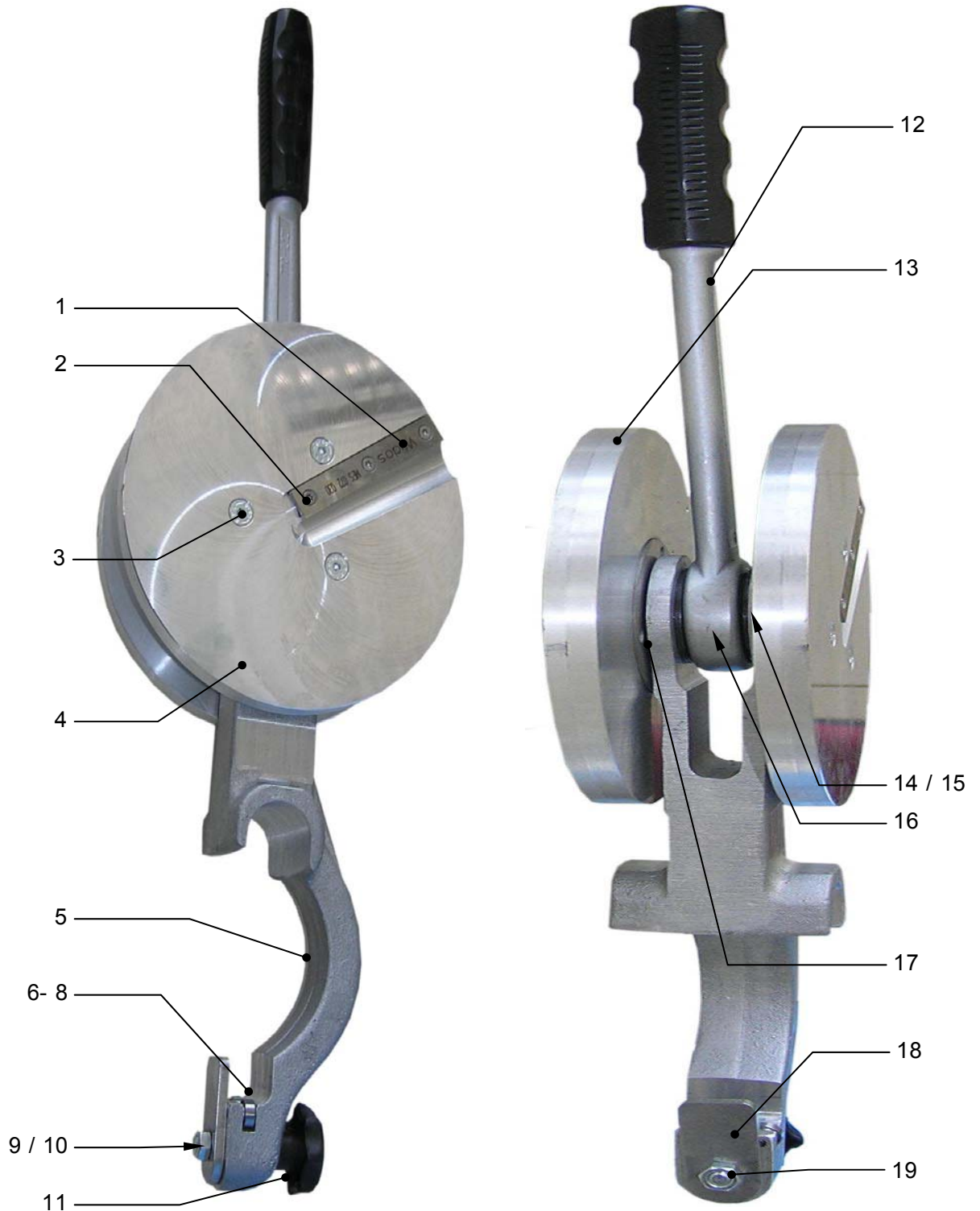
### 10.3. Clamping devices for fittings



**Clamping device for fittings WIDOS MINIPLAST 2**

Pos.	Name	Piece	Order no.
1	Right-hand clamping device for fitting	1	4508110R
2	Draw bar	2	S0115067
3	Knurled screw	2	S0113
4	Hinge	2	S0112
5	Rivet	2	S0110
6	Handle	2	451714
7	Left-hand clamping device for fittings	1	4508110L
8	Flat-head screw M 6x12 DIN 7991	4	7991F012
9	Straight pin 4 M6x12 DIN 6325	4	6325D012
10	Gib for screwing	2	450703
--	Clamping insert OD 20-90	1 set	2008...*
--	Pan-head screw M 4x20 DIN 912 (OD 20-75)	4	0912D020
--	Pan-head screw M 4x16 DIN 912 (OD 90)	4	0912D016
--	Allan key DIN 911 B size 4	1	ZIG04

### 10.4. Manual planer

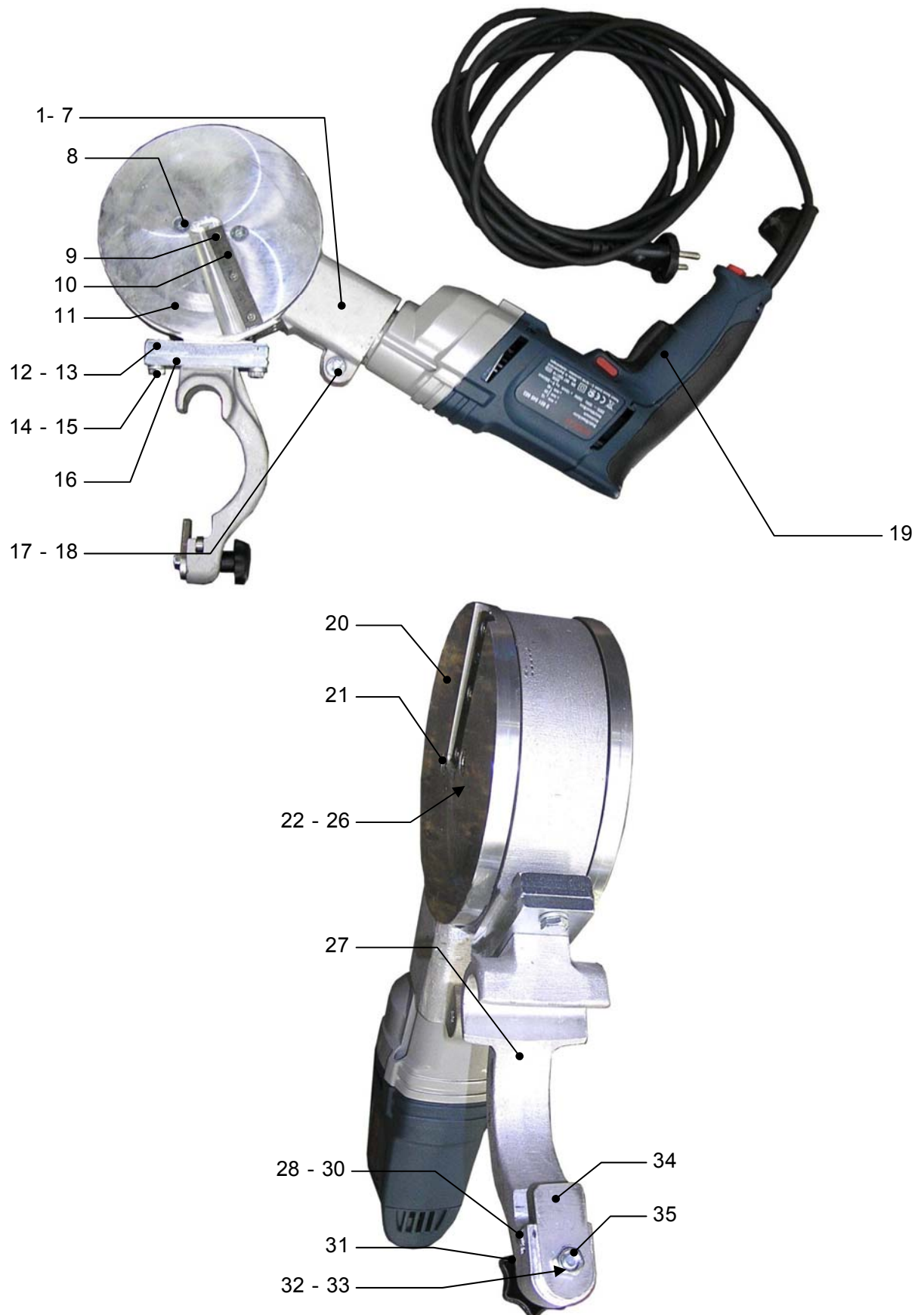


**Manual Planer WIDOS MINIPLAST 2**

Pos.	Name	Piece	Order no.
1	Blade	2	MES072
2	Flat-head screw M 3x6 DIN 965	6	0965C006TX
3	Flat-head screw M 5x12 DIN 7991	6	7991E012
4	Planer disk, right-hand	1	450402
5	Holder for planer	1	450401
6	Ball bearing 623ZZ	2	L0623ZZ
7	Washer M 3 DIN 125	4	0125C
8	Grooved taper pin 3x20 DIN 1472	2	1472C020
9	Pressure spring	1	450409
10	Ball Ø 4,5	1	L0005
11	Star grip screw	1	BG3230
12	Mechanical drive	1	ZK002
13	Planer disk, left-hand	1	450403
14	Bearing ring	2	450405
15	Driving plate, right-hand	1	450406
16	Pan-head screw M 5x25 DIN 912	1	0912E025
17	Driving plate, left-hand	1	450407
18	Closing disc	1	450408
19	Hexagon nut M 6 DIN 934	1	0934F
--	Torx screwdriver T 10	1	ZT10



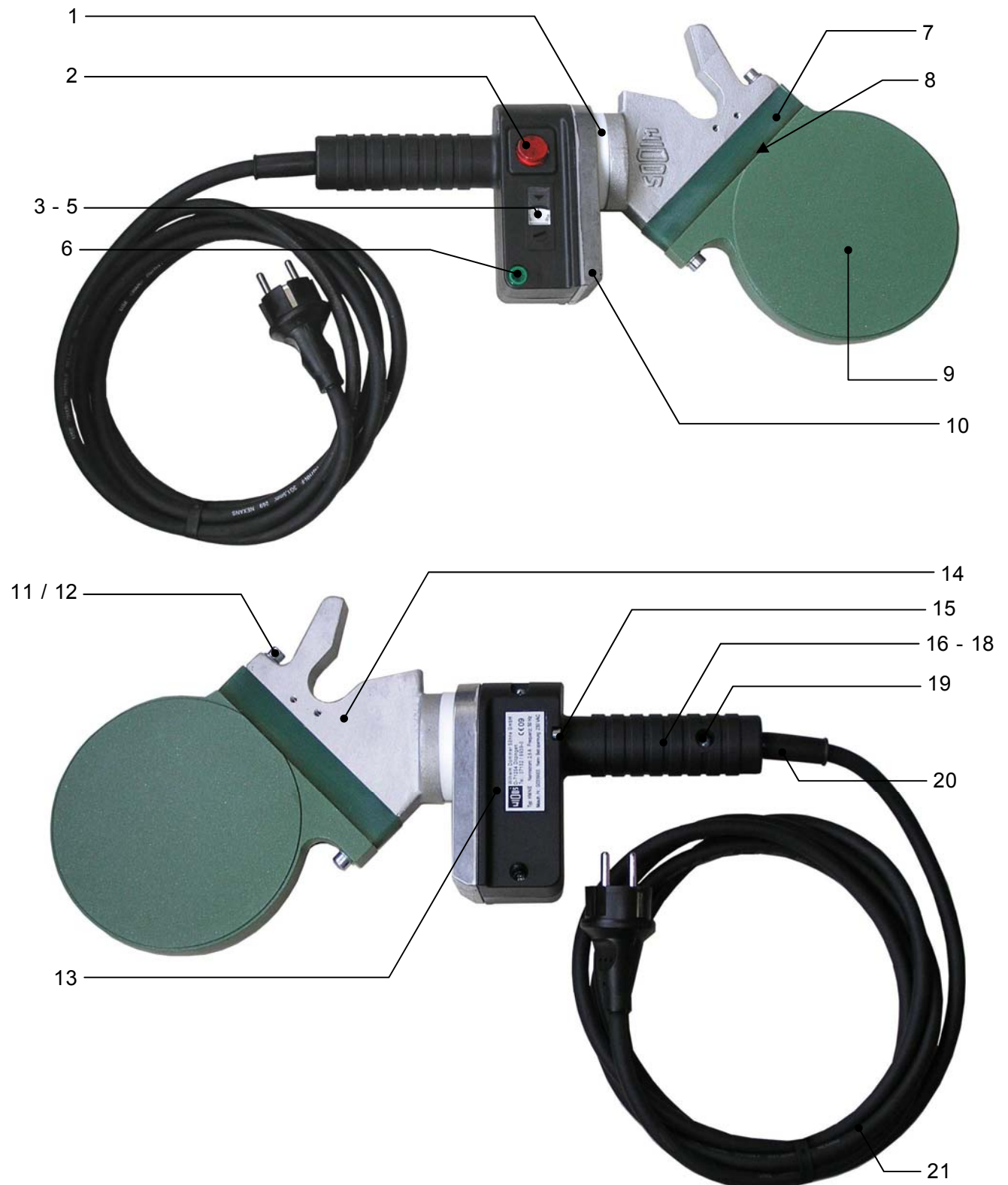
### 10.5. Electric planer (optional)



## Electric Planer WIDOS MINIPLAST 2

Pos.	Name	Piece	Order no.
1	Planer housing	1	450431
2	Coupling piece	1	450443
3	Nut M 10x1, hardened and tempered	1	0934J1
4	Washer M 10 DIN 125	1	0433J
5	Disc	1	450441
6	Shaft for pinion	1	450440
7	Pinion M 1,5; Z 15; Ü 5:1	1	454408
8	Flat-head screw M 6x16 DIN 7991	2	7991F016
9	Flat-head screw M 3x6 DIN 965	6	0965C006TX
10	Knife	2	MES072
11	Planer disk, right-hand	1	450432
12	Connection flange housing side	1	450439
13	Flat-head screw M 5x16 DIN 7991	4	7991E016
14	Pan-head screw M 6x16 DIN 912	2	0912F016
15	Straight pin 4h8 x 12 DIN 6325	4	6325D012
16	Connection flange holder side	1	450438
17	Washer M 6 DIN 125A	1	0125F
18	Pan-head screw M 6x30 DIN 912	1	0912F030
19	Driving motor 230 V	1	A0550230
(19)	Driving motor 110 V	1	A0550110
20	Planer disk, left-hand	1	450436
21	Flat head screw M 6x25 DIN 7991	2	7991F025
22	Bolt for planer disk	1	450436
23	Ball bearing 6010 RS	1	L6010ZR
24	Adapter ring	1	450437
25	Bevel gear m=1,5 / z=75	1	450438
26	O-ring 3x105	1	D105x3
27	Planer holder	1	4514012
28	Ball bearing 623 2Z	2	L0623
29	Washer M 3 DIN 125	4	0125C
30	Straight pin 3 x 20 DIN 6325	2	6325C020
31	Star grip screw	1	BG3230
32	Compression spring	1	450409
33	Ball Ø 4,5	1	L0005
34	Closing disc	1	450408
35	Hexagon nut inherently safe	1	0985F006
--	Torx screwdriver T 10	1	ZT10

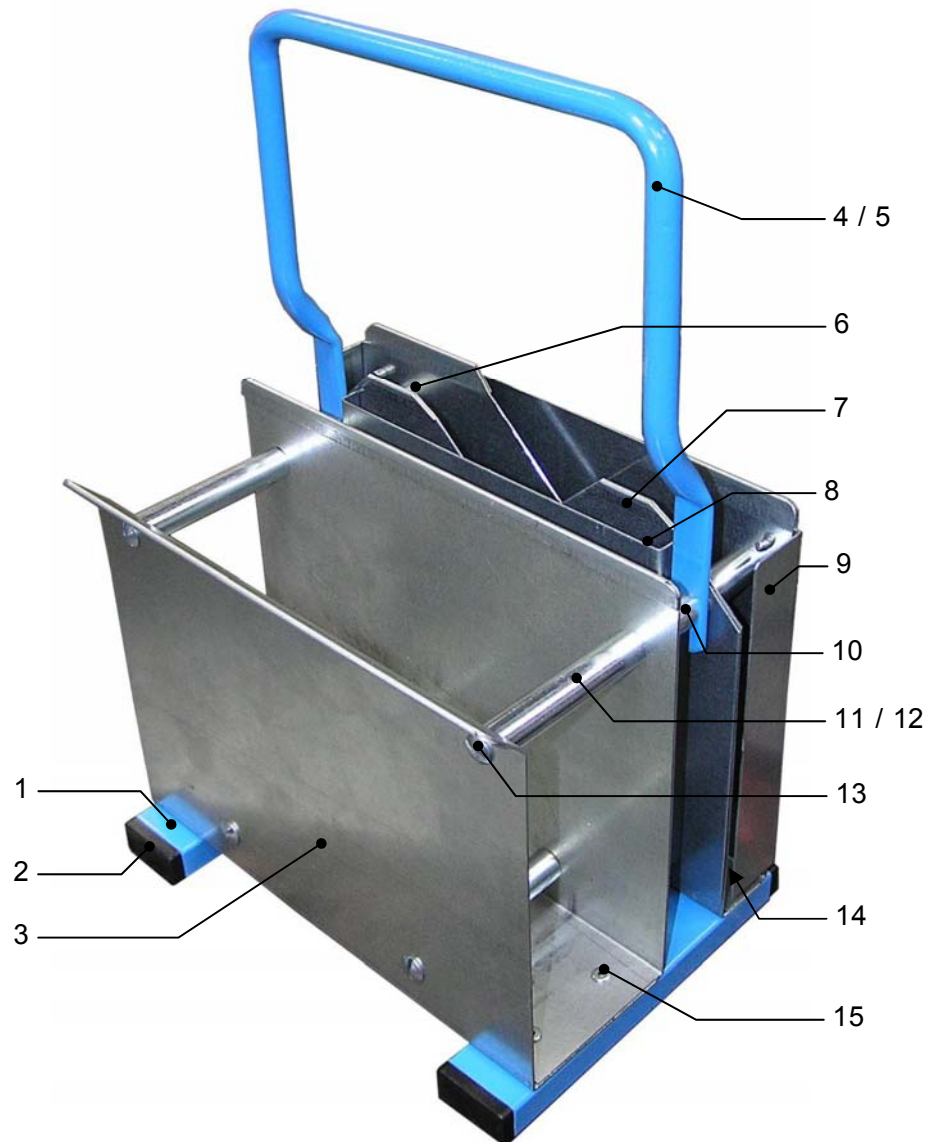
### 10.6. Heating element



## Heating Element WIDOS MINIPLAST 2

Pos.	Name	Piece	Order no.
1	Teflon-conical nipple	1	H09091
2	Switch on/off with red illuminated	1	H0903
3	Control knob with slot	1	H09075
4	Scale 180°-280° (d33)	1	H09074
5	Window cap for handle shell (white)	1	H09072
6	Control lamp (green)	1	H2105
7	Isolator piece	1	450503
8	Temperature probe PT1000	1	H09082
9	Heating element, complete 230 V	1	HMINIE
	Heating plate new, 230V	1	HPMINIE
	Heating plate for change, 230V	1	HPTMINIE
(9)	Heating element, complete 110 V	1	HMINIE110
	Heating plate new, 110V	1	HPMINIE110
	Heating plate for change, 110V	1	HPTMINIE110
10	Triac with heat sink	1	H09081
11	Pan-head screw M 6x45 DIN 912	2	0912F045
12	Spring washer 6 DIN 128	2	0128FF
13	Electronic control without probe GZ4 230V	1	H0918220
(13)	Electronic control without probe GZ4 110V	1	H0918110
14	Connection piece	1	450504
15	Pan-head screw M 4x70 DIN 912	3	0912D070
16	Handle shell	1	H0907
17	Strain relief	1	H09076
18	Sheet metal screw C 2,9x13 DIN 7981	2	7981C013
19	Sheet metal screw C 4,2x19 DIN 7981	3	7981E019
20	Cable bushing	1	EKT08
21	Connection cable with plug 230V	1	EK3220
(21)	Connection cable with plug 110V	1	on request

### 10.7. Protective box



**Protective Box WIDOS MINIPLAST 2**

Pos.	Name	Piece	Order no.
1	Foot	2	450517
2	Screw cap	4	J0207
3	Insert for planer	1	450511
4	Hoop	1	450516
5	Washer 10,5 DIN 125	4	0125J
6	Bar for distance 4	2	450521
7	Insert for heating element	1	450512
8	Protective sheet, inside	1	450519
9	Protective sheet, outside	1	450513
10	Bar for distance 2	4	450515
11	Bar for distance 1	4	450514
12	Threaded bolt	4	450518
13	Sleeve nut M 6	8	J0106
14	Bar for distance 3	2	450520
15	Rivet Ø 3x8 DIN 7337	10	7337C008